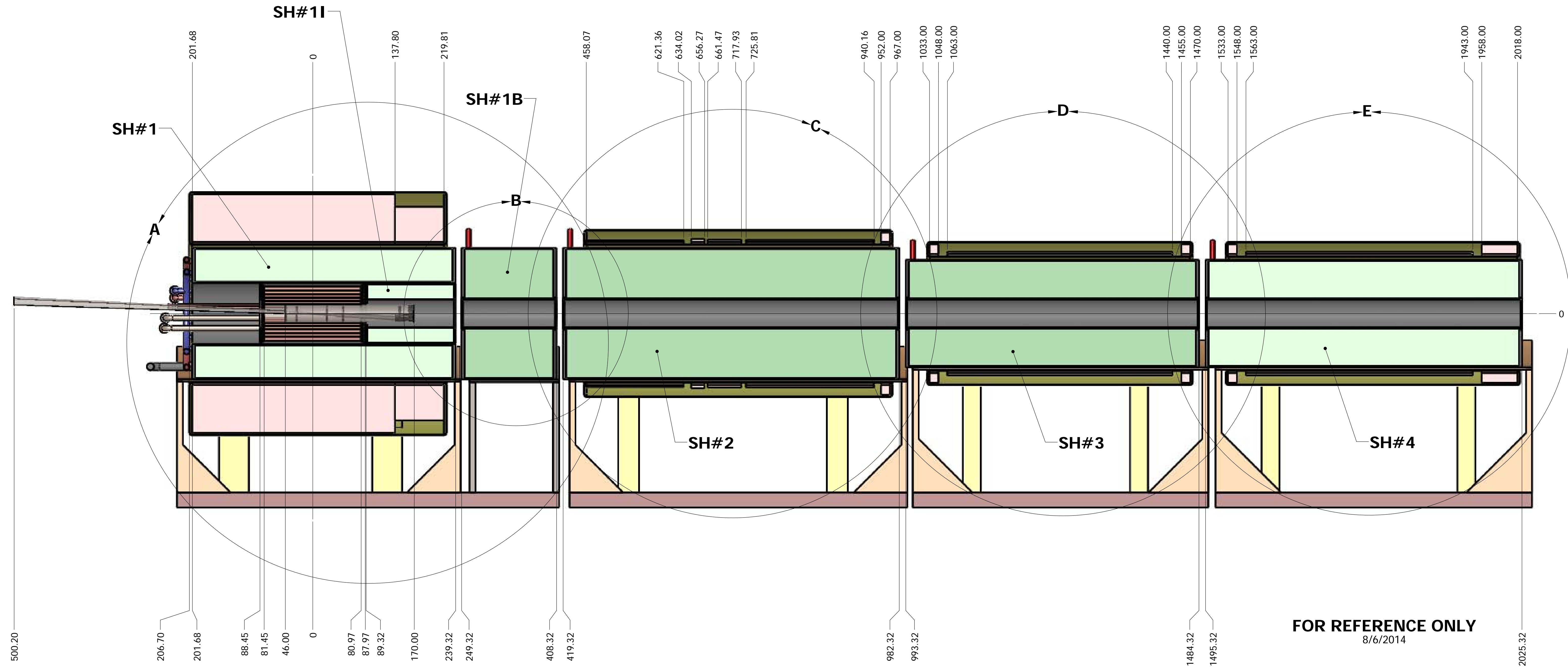


NO REPRESENTATION OR WARRANTY, EXPRESSED OR IMPLIED, IS MADE AS TO THE ACCURACY, COMPLETENESS OR USEFULNESS OF THE INFORMATION OR STATEMENTS CONTAINED IN THESE DRAWINGS, OR THAT THE DISCLOSURE OF ANY INFORMATION, APPARATUS, METHOD OR PROCESS DISCLOSED MAY NOT INFRINGE PRIVATE RIGHTS OF OTHERS. NO LIABILITY IS ASSUMED WITH RESPECT TO THE USE OF, OR FOR DAMAGES RESULTING FROM THE USE OF, ANY INFORMATION, APPARATUS, METHOD OR PROCESS DISCLOSED IN THESE DRAWINGS. DRAWINGS MADE AVAILABLE FOR INFORMATION TO BIDDER ARE NOT TO BE USED FOR OTHER PURPOSES AND ARE TO BE RETURNED UPON REQUEST OF THE FORWARDING CONTRACTOR.

REVISIONS					
REV	DESCRIPTION	BY	DATE	BY	APPROVED

**NOTES**

1. DIMENSIONS IN CM.

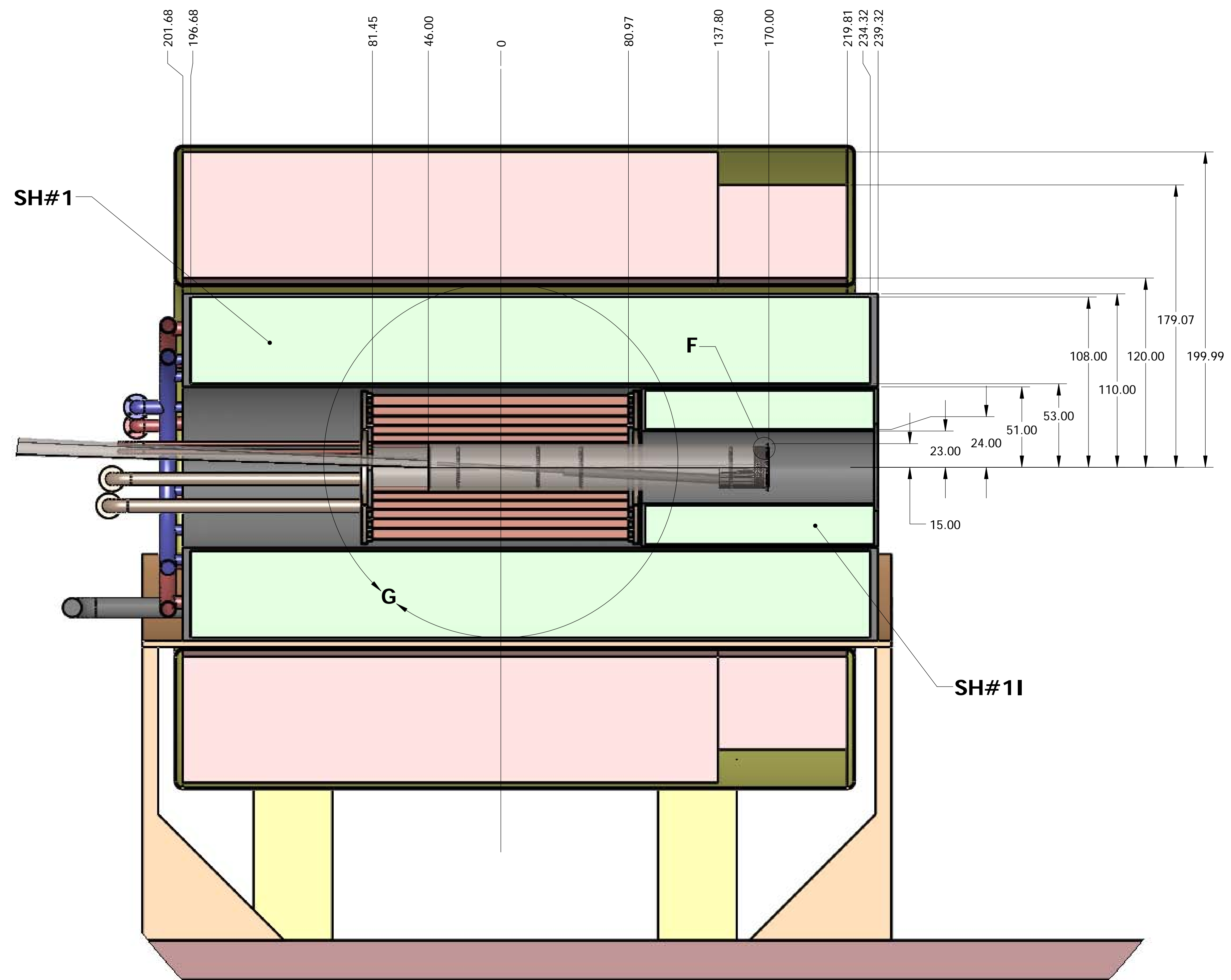


<b>QUALITY VERIFICATION REQUIREMENTS DOCUMENTS</b> MATERIAL MILL TEST REPORT LEAK TEST REPORT CLEANING CERT WELD / BRAZE INSPECTION REPORT HEAT TREAT REPORT DIMENSIONAL REPORT MATERIAL SELLER CERT FUNCTIONAL TEST REPORT DEVIATION REQUEST NONCONFORMANCE REPORT		<p>THIRD-ANGLE PROJECTION</p> <p>UNLESS OTHERWISE NOTED DIMENSIONS ARE IN INCHES</p> <p>INTERPRET DIMENSIONS AND TOLERANCES PER ASME Y14.5M</p> <p>BREAK SHARP CORNERS AND REMOVE ALL BURRS</p> <p>DEFAULT TOLERANCES</p> <p>LINEAR X.X = ±.100 X.XX = ±.010 X.XXX = ±.005</p> <p>ANGULAR ±1/2°</p> <p><b>DO NOT SCALE DRAWING</b></p>	<table border="1"> <thead> <tr> <th colspan="2">APPROVALS</th> <th>DATE</th> </tr> </thead> <tbody> <tr> <td>DES</td> <td></td> <td></td> </tr> <tr> <td>DRW</td> <td></td> <td></td> </tr> <tr> <td>CHK</td> <td></td> <td></td> </tr> <tr> <td>ENG</td> <td></td> <td></td> </tr> <tr> <td>QA</td> <td></td> <td></td> </tr> </tbody> </table>	APPROVALS		DATE	DES			DRW			CHK			ENG			QA			<p>THIS DRAWING IS THE PROPERTY OF <b>OAK RIDGE NATIONAL LABORATORY</b> OPERATED FOR THE U.S. DEPARTMENT OF ENERGY UNDER CONTRACT DE-AC05-00OR22725 OAK RIDGE, TN</p> <p><b>REMOTE SYSTEMS GROUP</b></p> <p><b>MUON ACCELERATOR PROGRAM SHIELDING CONFIGURATION 20T02T5M120CM4PDL</b></p>	<table border="1"> <tr> <td>TOTAL WEIGHT</td> <td>LBS</td> <td>SIZE</td> <td>NEXT ASSY</td> <td>DWG NO.</td> <td>REV</td> </tr> <tr> <td></td> <td></td> <td><b>D</b></td> <td>----</td> <td></td> <td><b>2G</b></td> </tr> </table>	TOTAL WEIGHT	LBS	SIZE	NEXT ASSY	DWG NO.	REV			<b>D</b>	----		<b>2G</b>
APPROVALS		DATE																																	
DES																																			
DRW																																			
CHK																																			
ENG																																			
QA																																			
TOTAL WEIGHT	LBS	SIZE	NEXT ASSY	DWG NO.	REV																														
		<b>D</b>	----		<b>2G</b>																														
THIS DRAWING PRODUCED USING <b>SolidWorks</b>		SCALE 1:32 CAD FILE target assy 20to2T5m120cm4pdl	SHEET 1 of 6																																

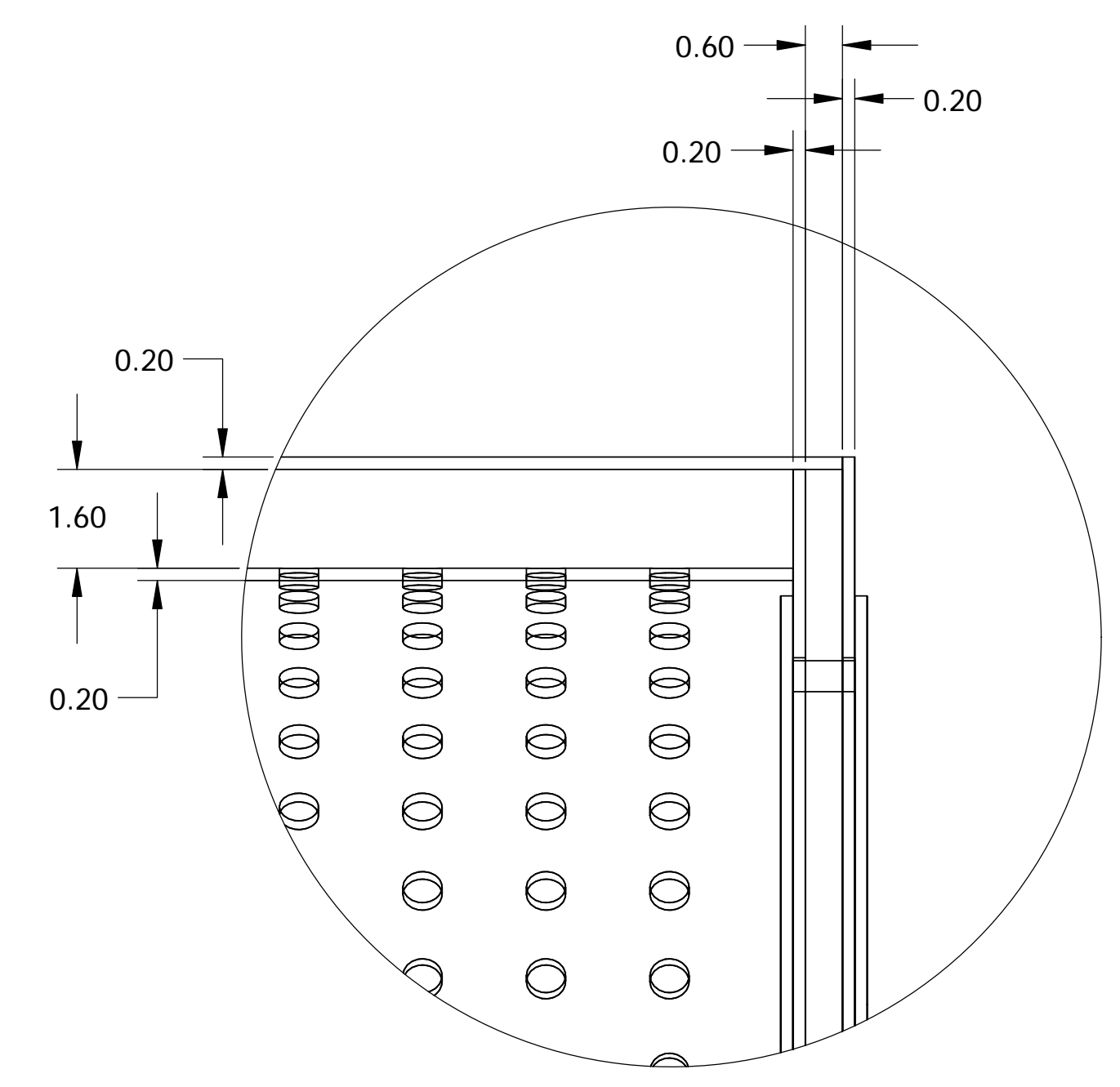
DWG NO.

A

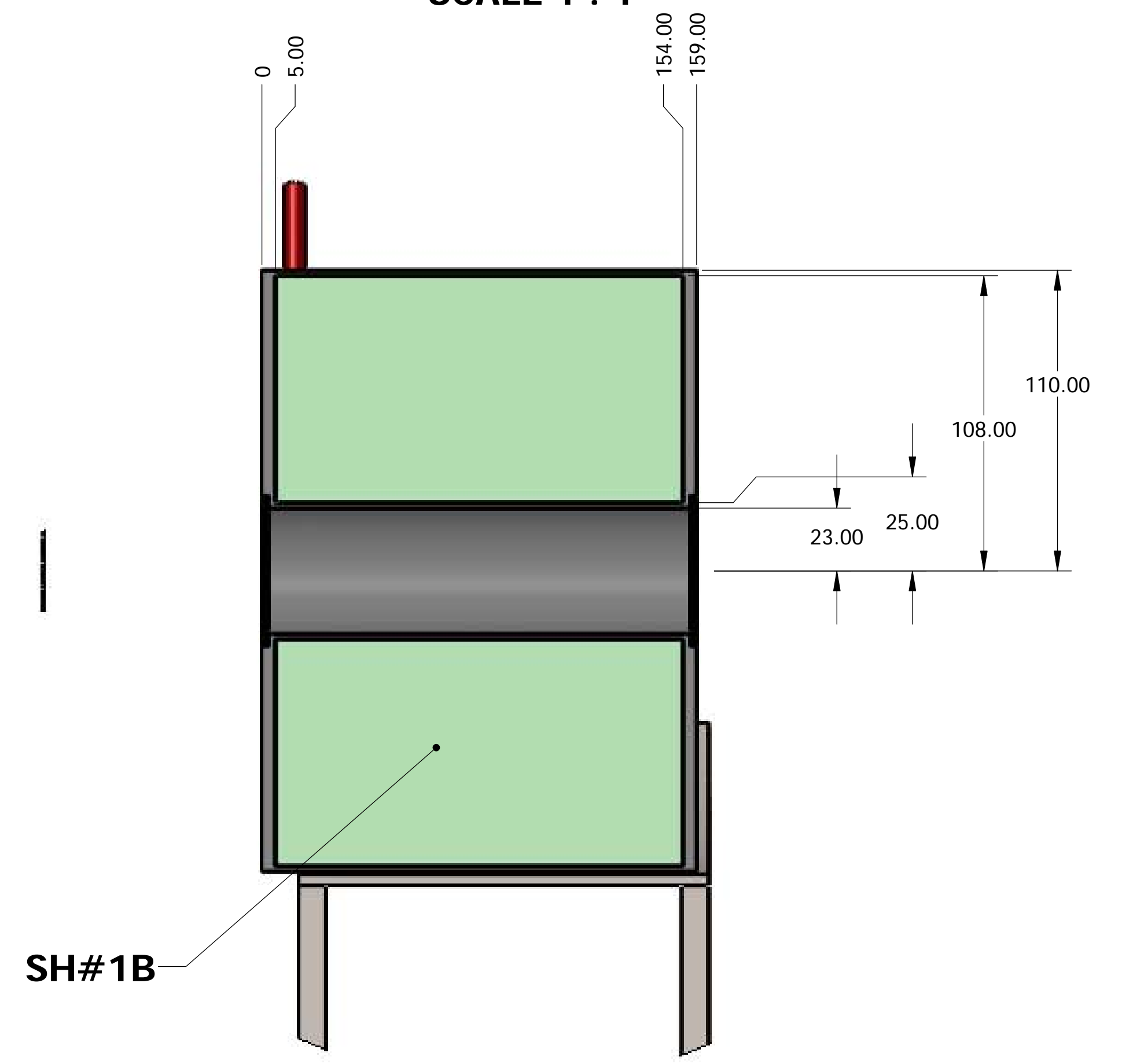
8 7 6 5 4 3 2 1



DETAIL A  
SCALE 1 : 16



DETAIL F  
SCALE 1 : 1



DETAIL B  
SCALE 1 : 16

SIZE	NEXT ASSY	DWG NO.	REV
D	----		2G
SCALE	CAD FILE	SHEET	2 of 6
1:32	target assy 20to2T5m120cm4pDL		

8 7 6 5 4 3 2 1

8

7

6

5

4

3

2

1

D

D

C

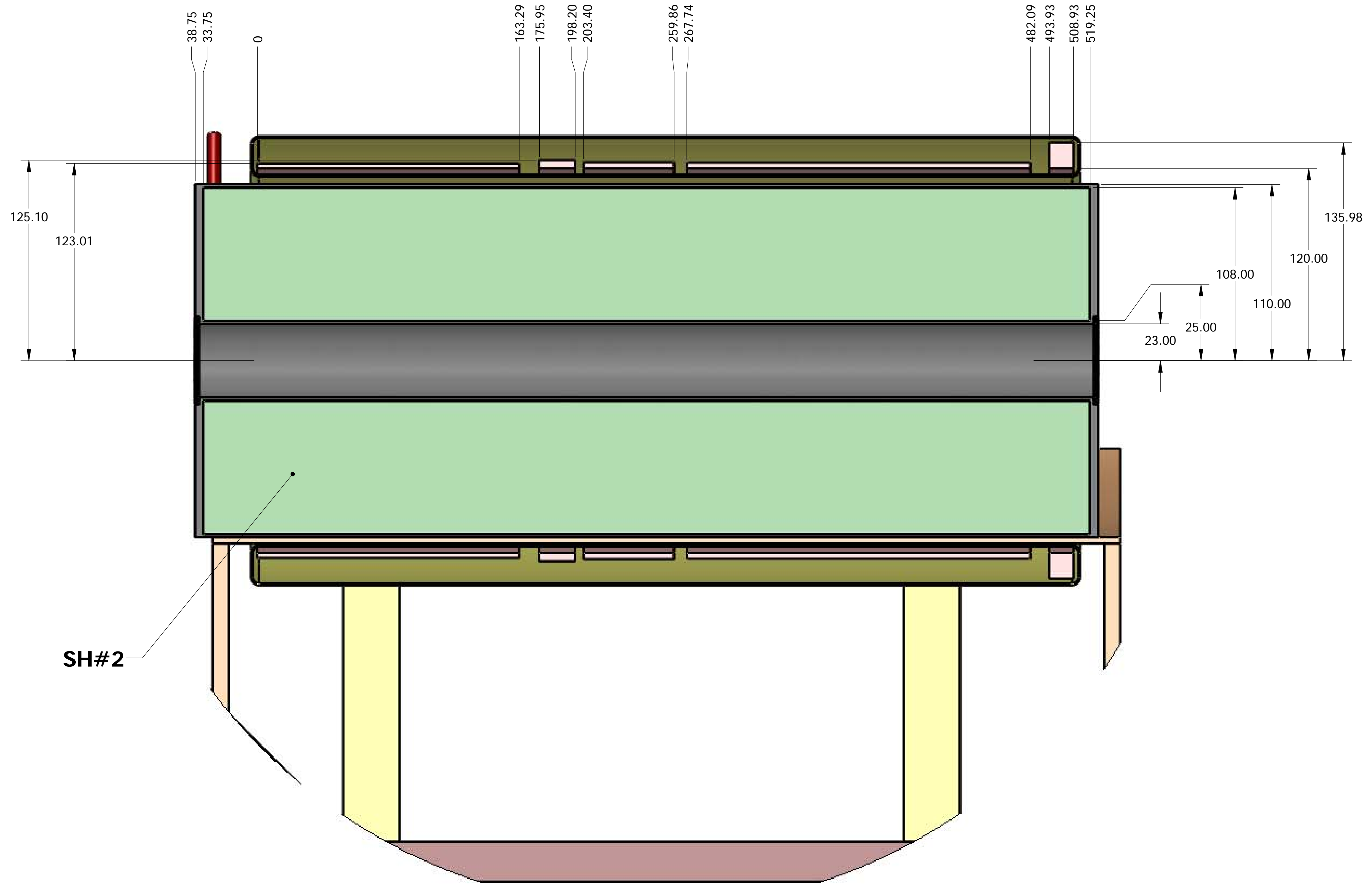
C

B

DWG NO.

A

A



**DETAIL C**  
**SCALE 1 : 16**

SIZE <b>D</b>	NEXT ASSY ----	DWG NO.	REV <b>2G</b>
SCALE 1:32	CAD FILE target assy 20to2T5m120cm4pDL	SHEET	3 of 6

8 7 6 5 4 3 2 1

D

D

C

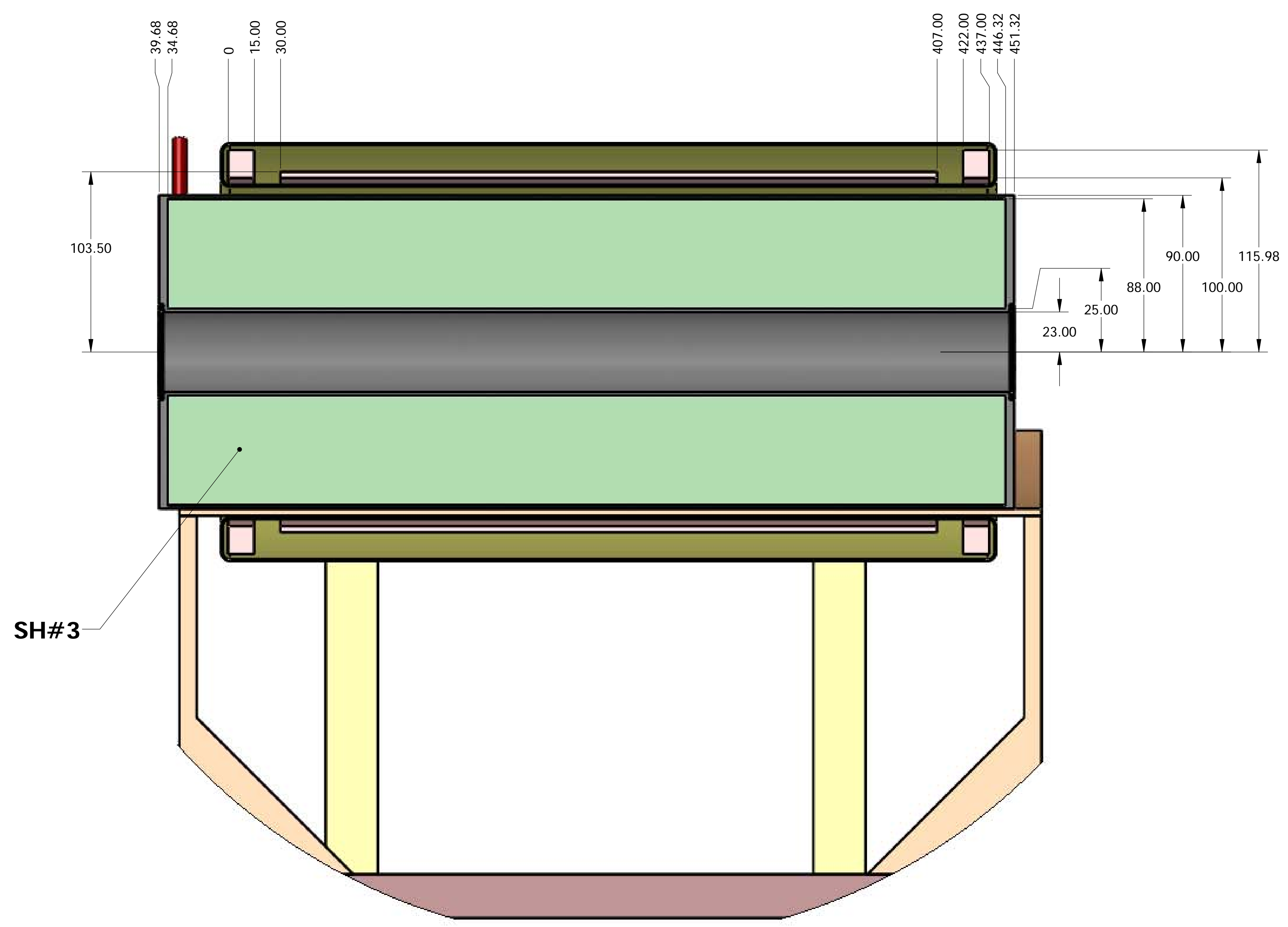
C

B

DWG NO.

A

A



DETAIL D  
SCALE 1 : 16

SIZE <b>D</b>	NEXT ASSY ----	DWG NO.	REV <b>2G</b>
SCALE 1:32	CAD FILE target assy 20to2T5m120cm4pDL	SHEET	4 of 6

8 7 6 5 4 3 2 1

8

7

6

5

4

3

2

1

D

D

C

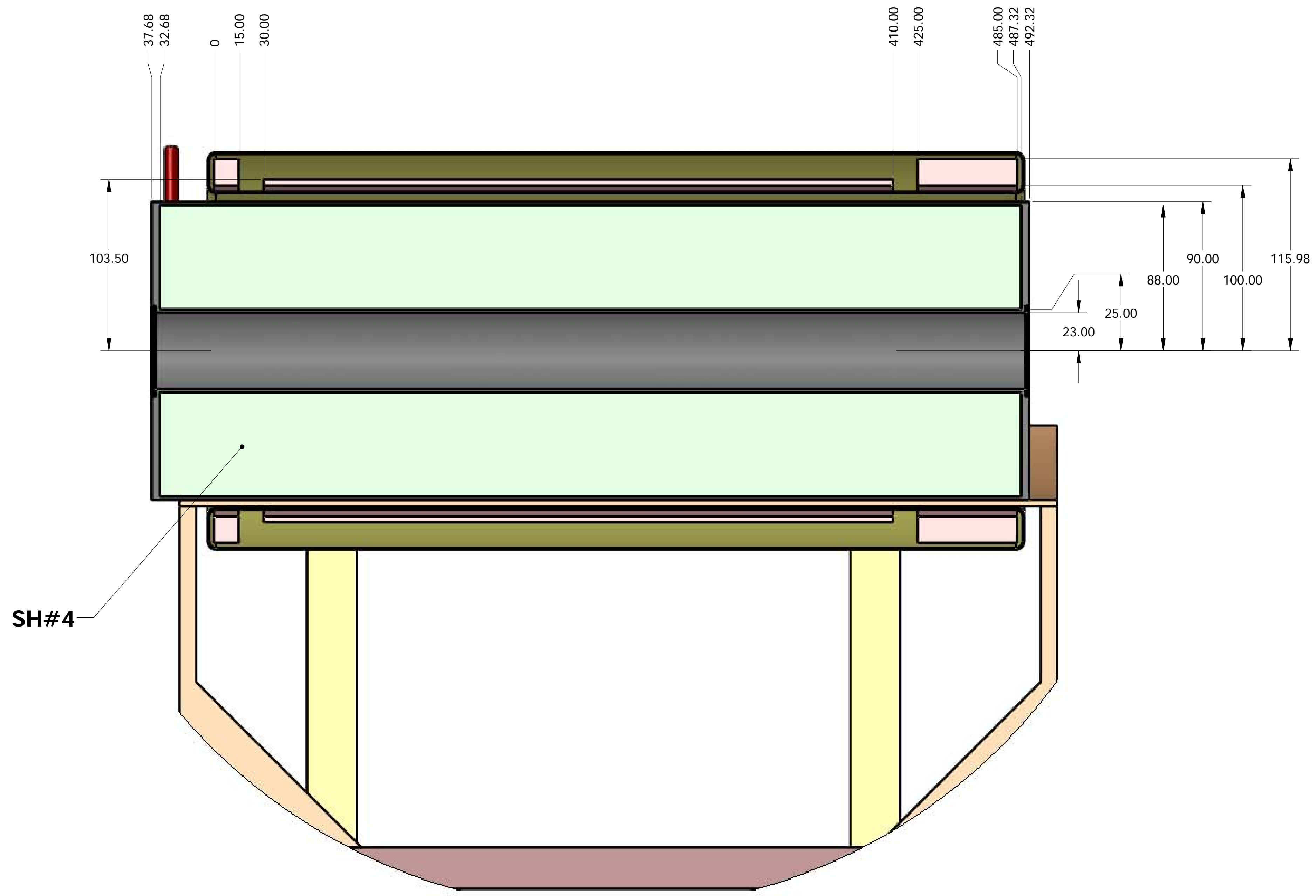
C

B

DWG NO.

A

A



**DETAIL E**  
**SCALE 1 : 16**

SIZE <b>D</b>	NEXT ASSY ----	DWG NO.	REV <b>2G</b>
SCALE 1:32	CAD FILE target assy 20to2T5m120cm4pDL	SHEET	5 of 6

8 7 6 5 4 3 2 1

D

D

C

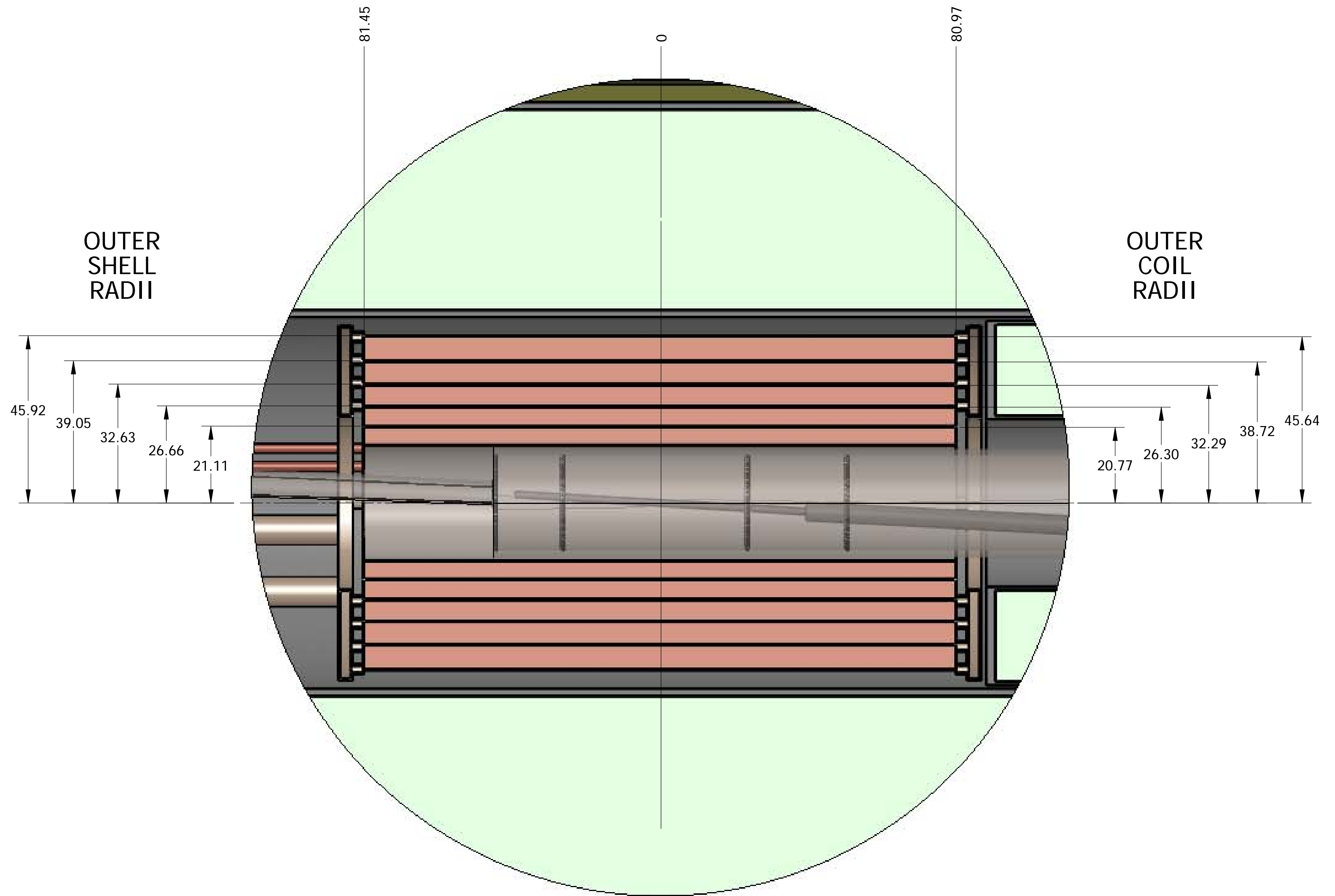
C

B

A

DWG NO.

A



**DETAIL G**  
**SCALE 1 : 8**

SIZE <b>D</b>	NEXT ASSY ----	DWG NO.	REV <b>2G</b>
SCALE 1:32	CAD FILE target assy 20to2T5m120cm4pDL	SHEET	6 of 6

8 7 6 5 4 3 2 1