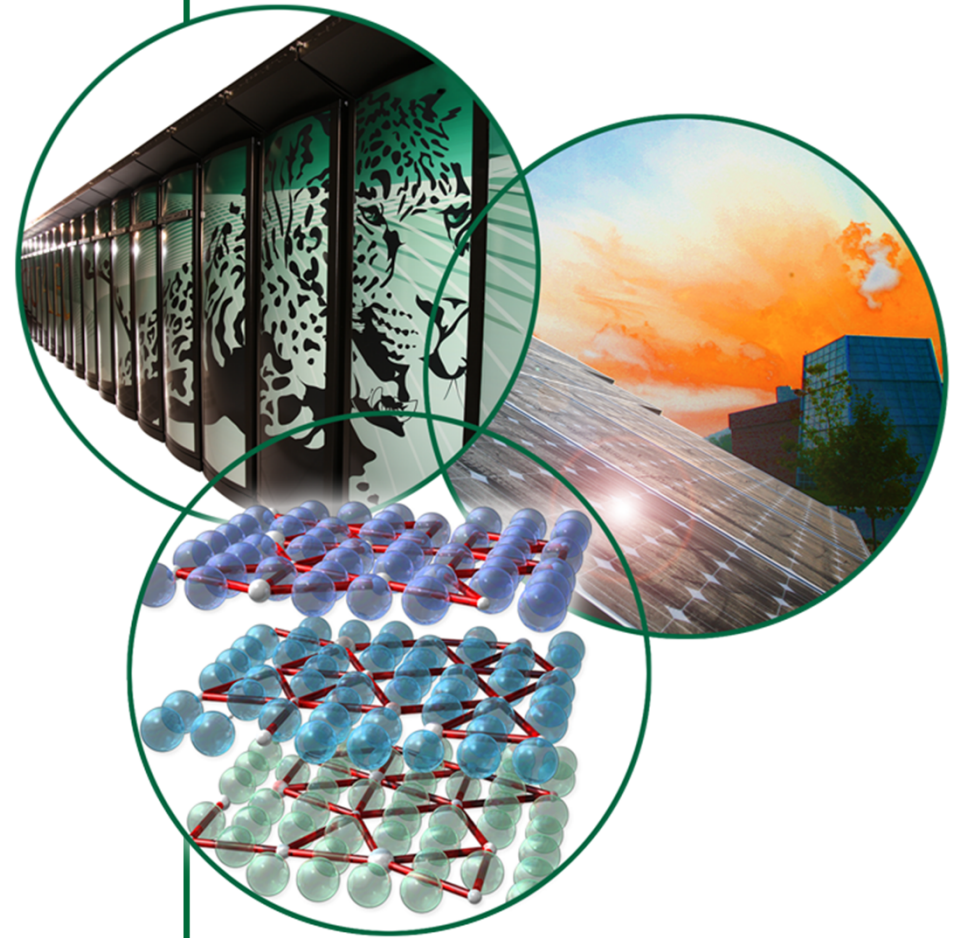


Neutrino Factory Target Vessel Concept

V. Graves

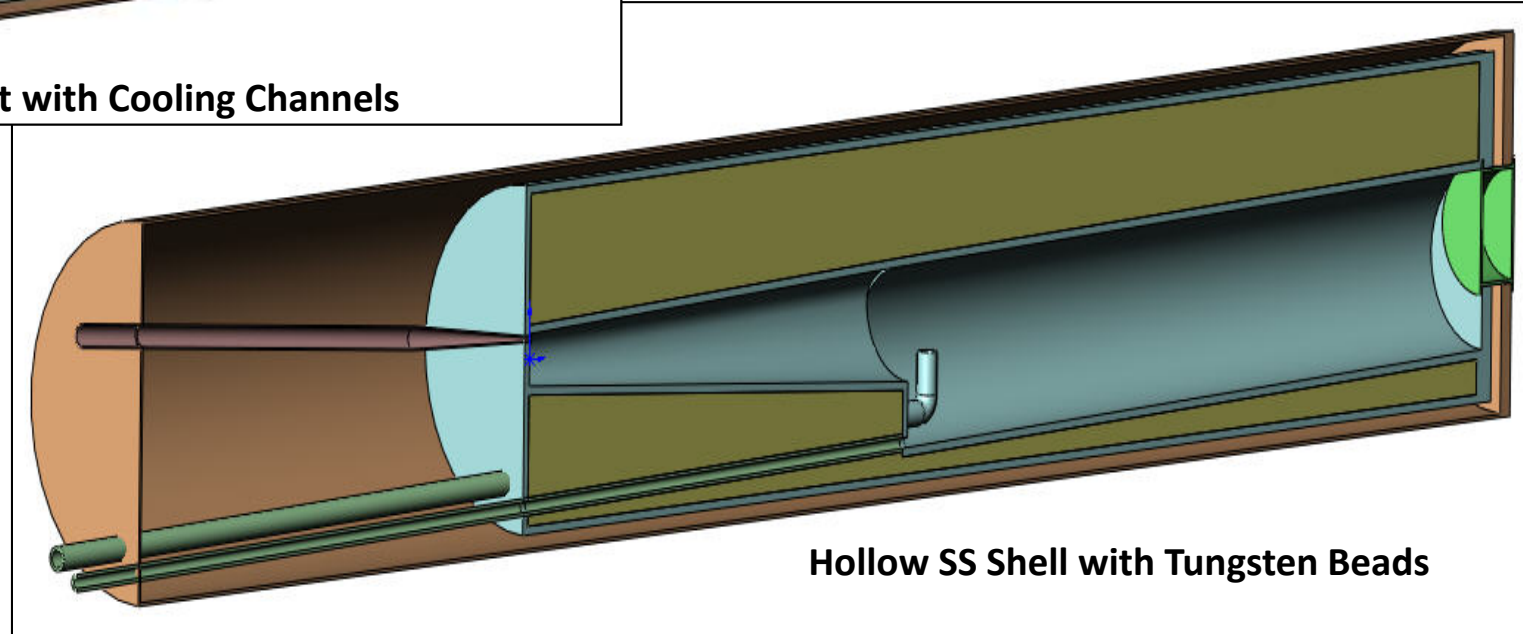
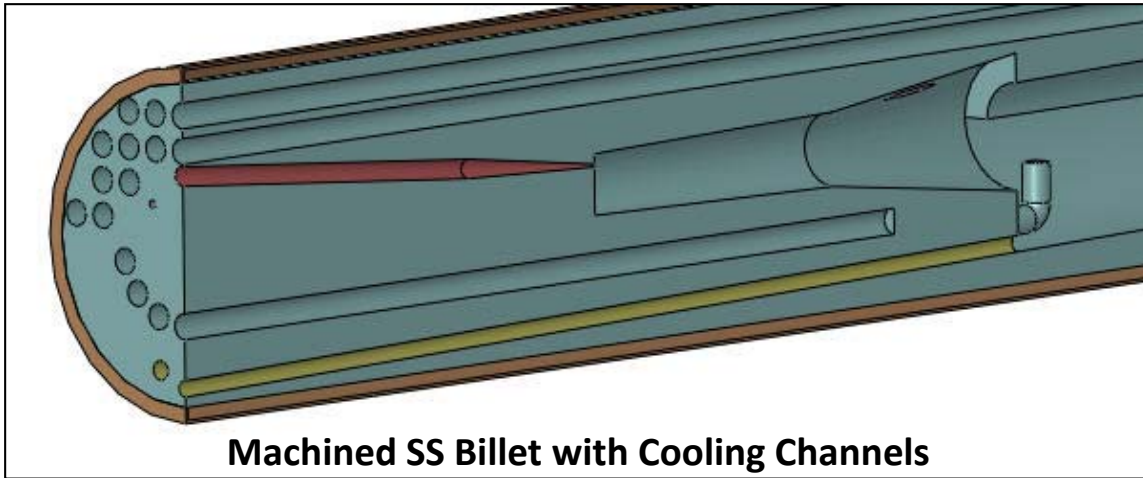
Target Studies EVO

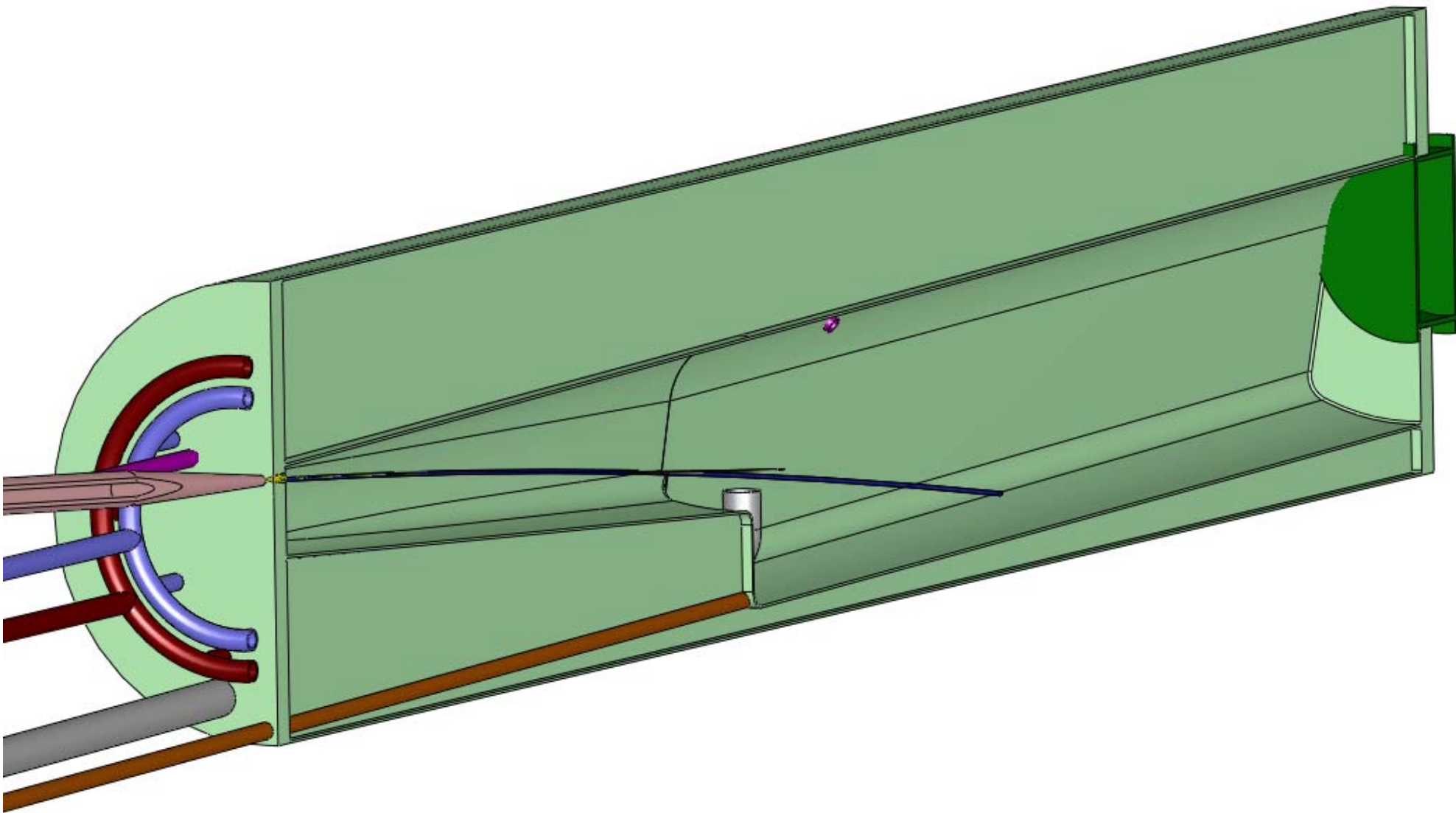
May 1, 2012

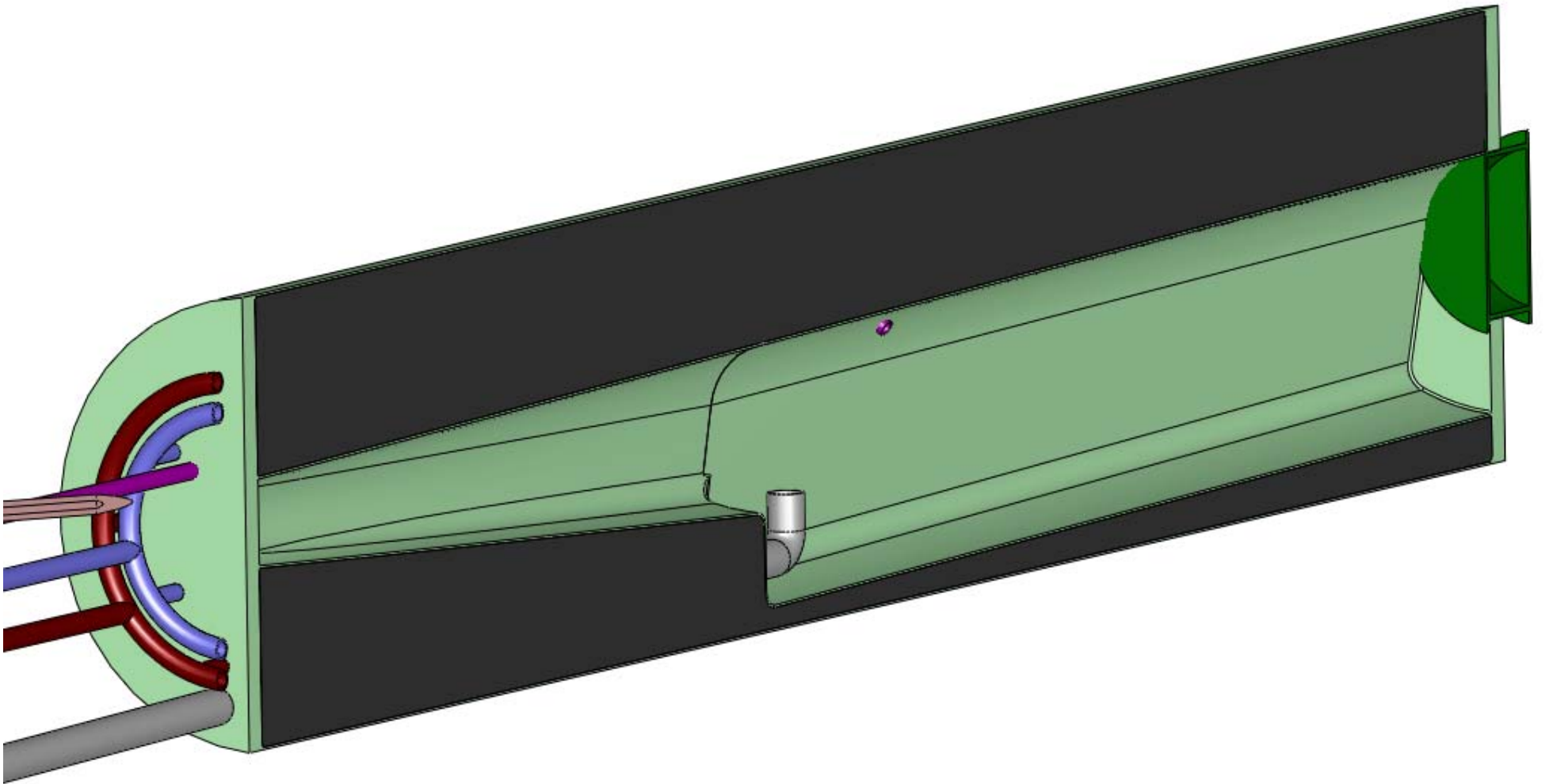


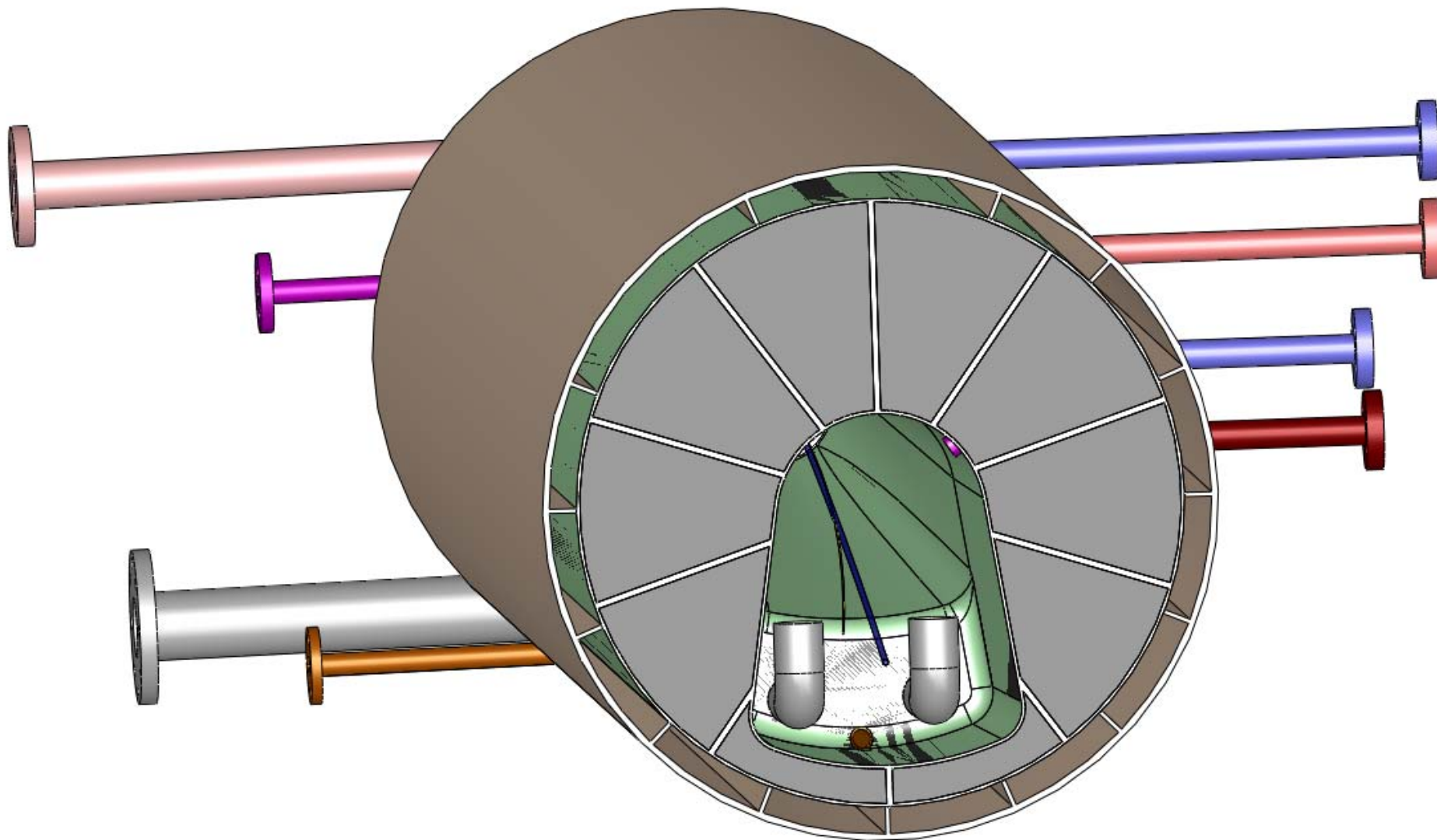
Review – Two Target Vessel Ideas

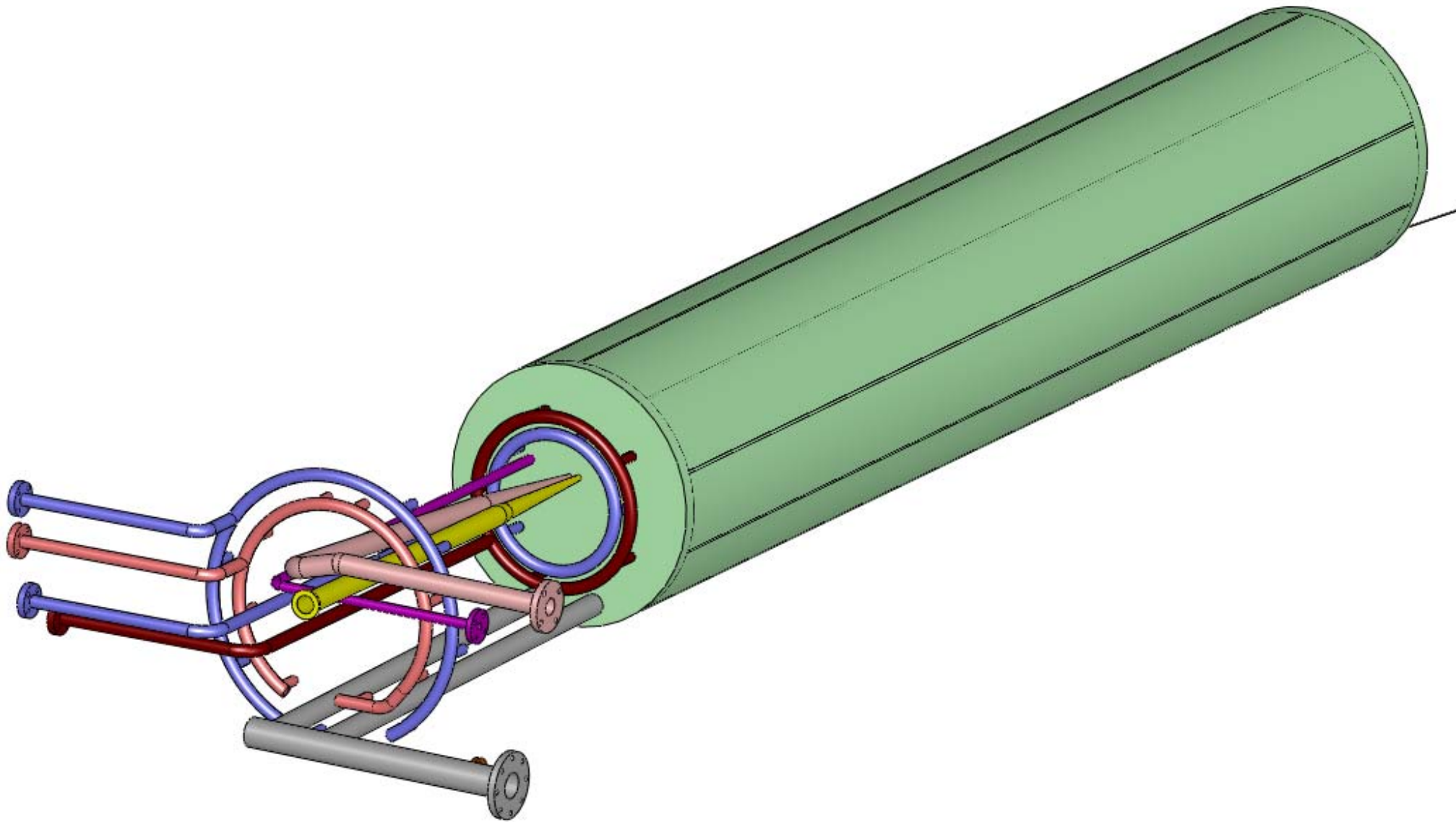
- Solid billet does not provide adequate shielding
- Continue with shell concept and refine it for IPAC paper

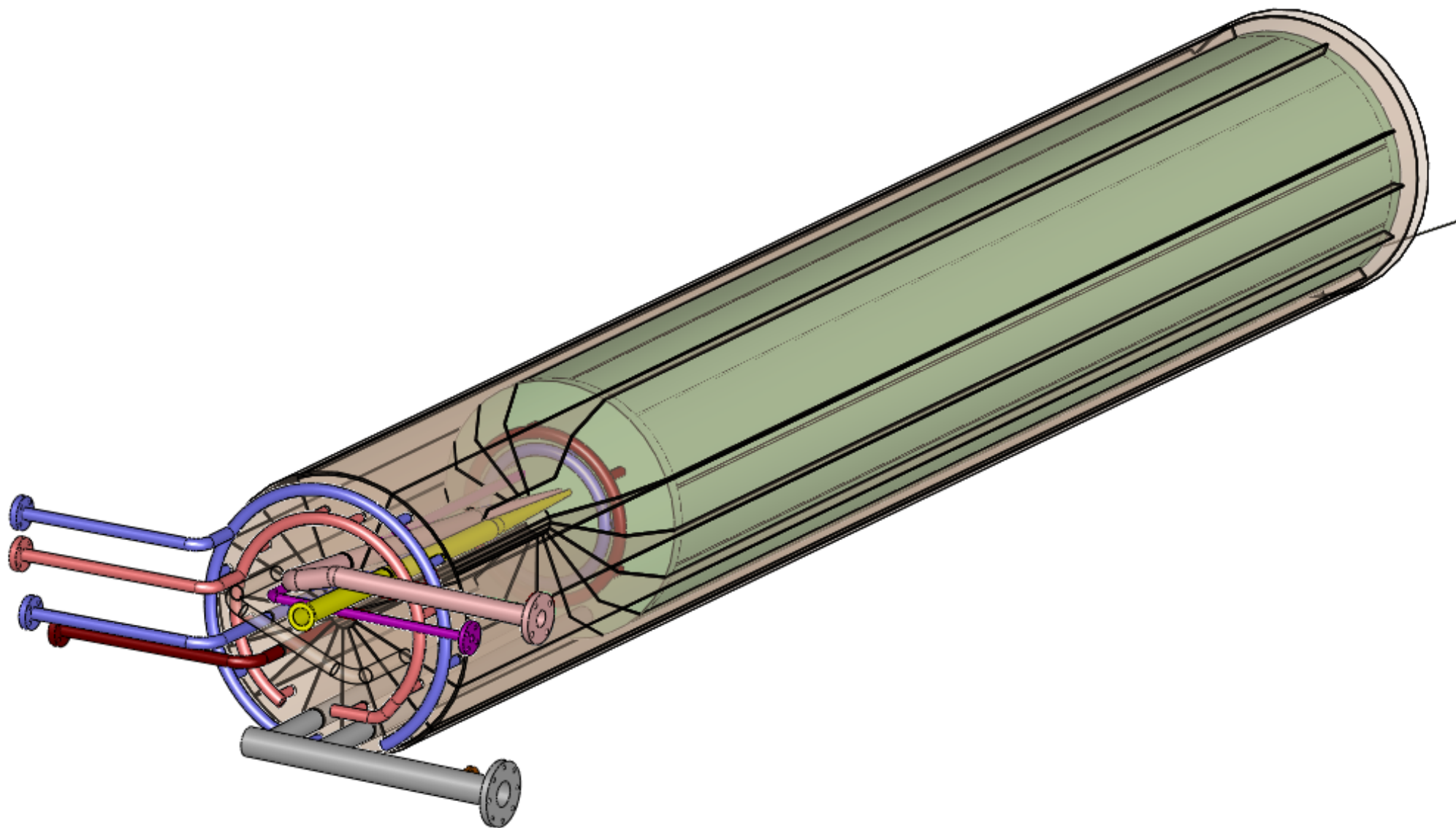


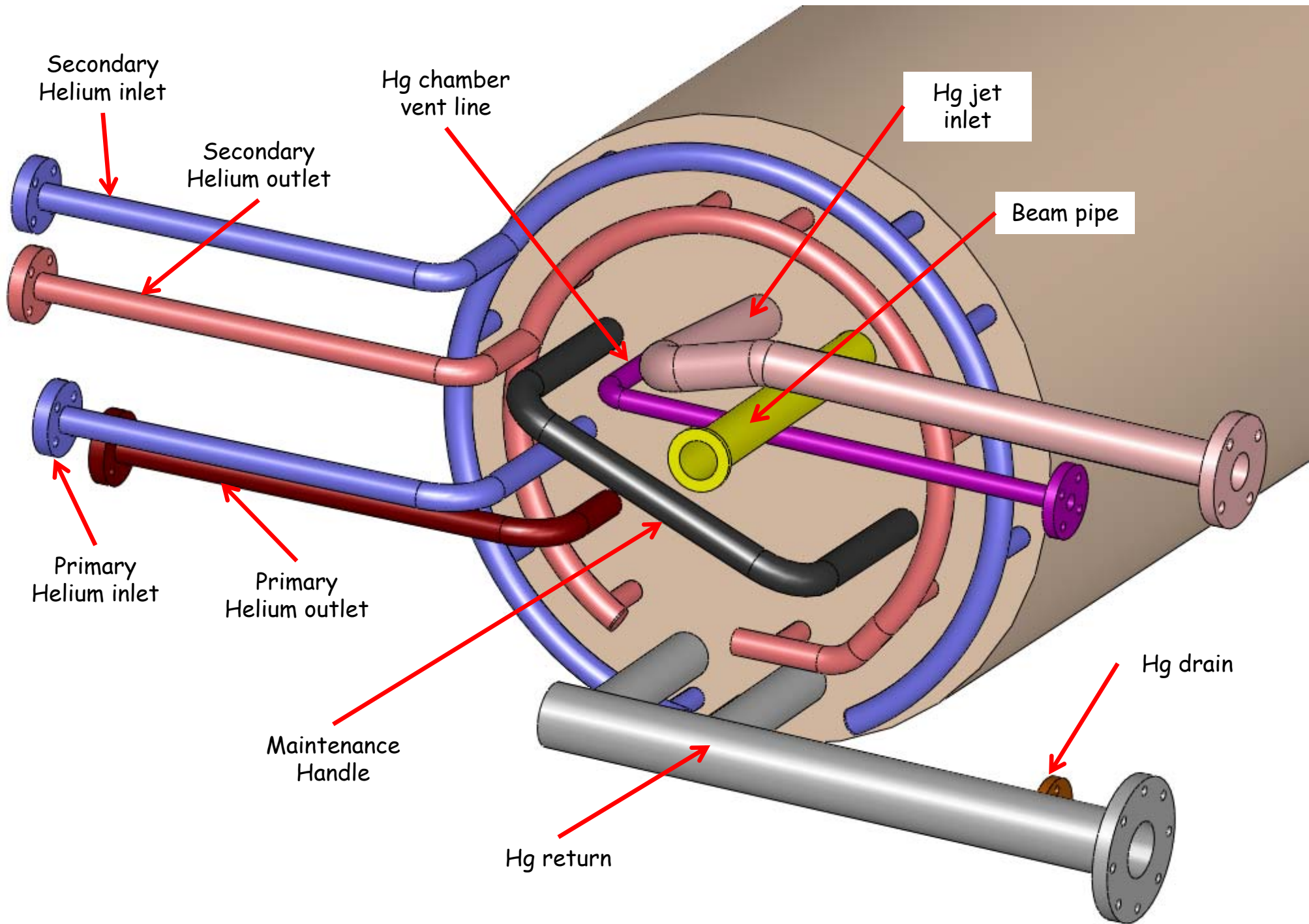


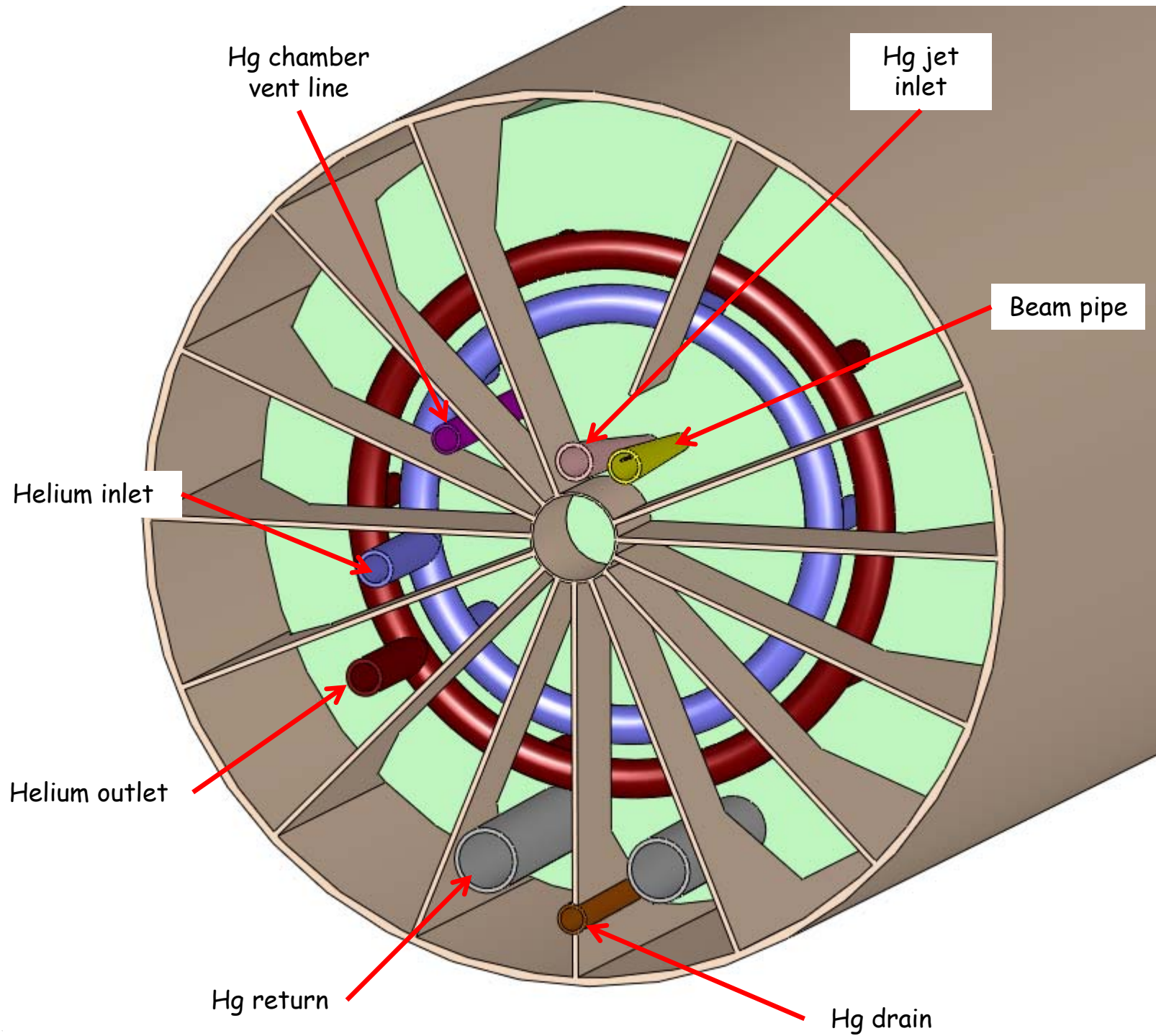


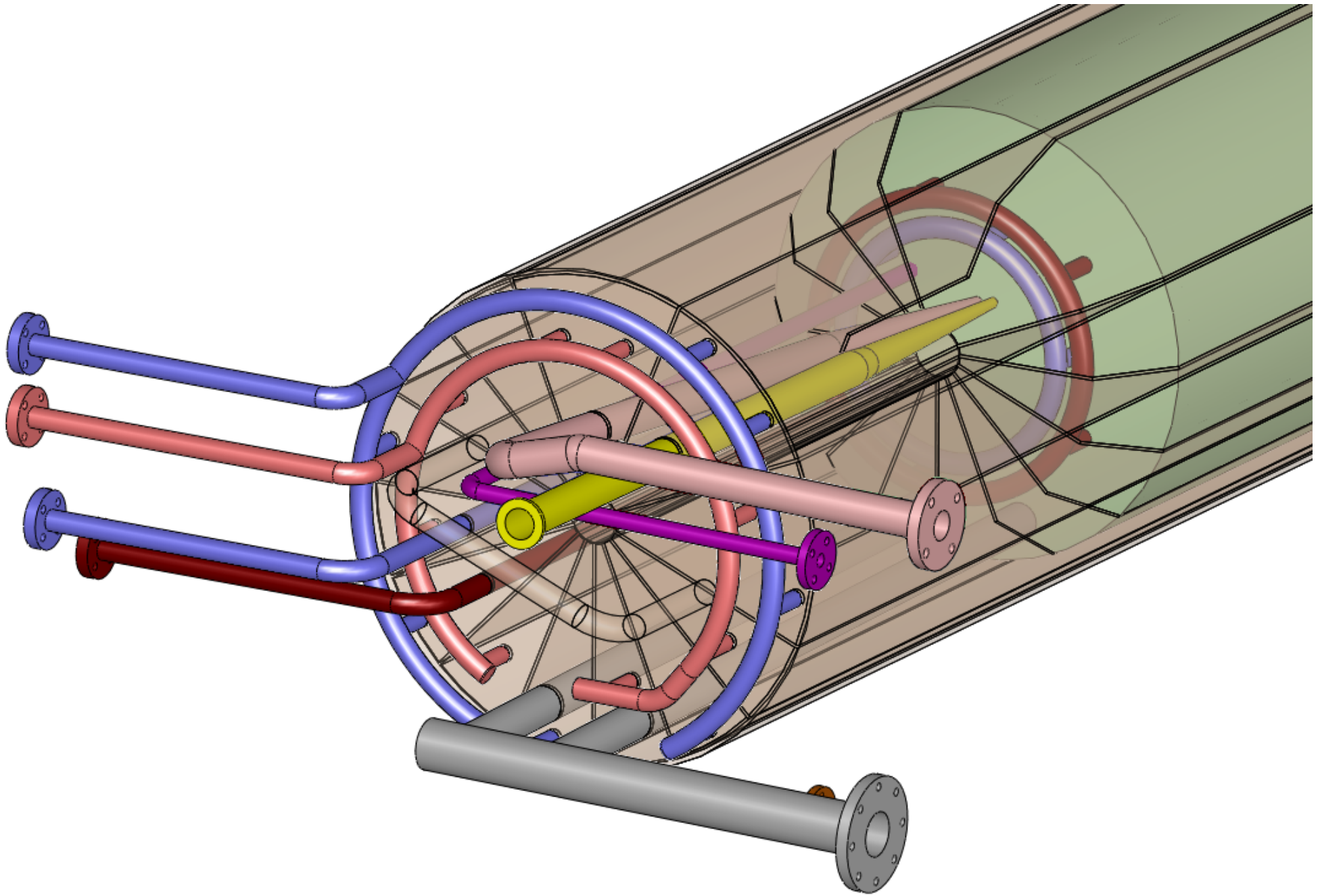


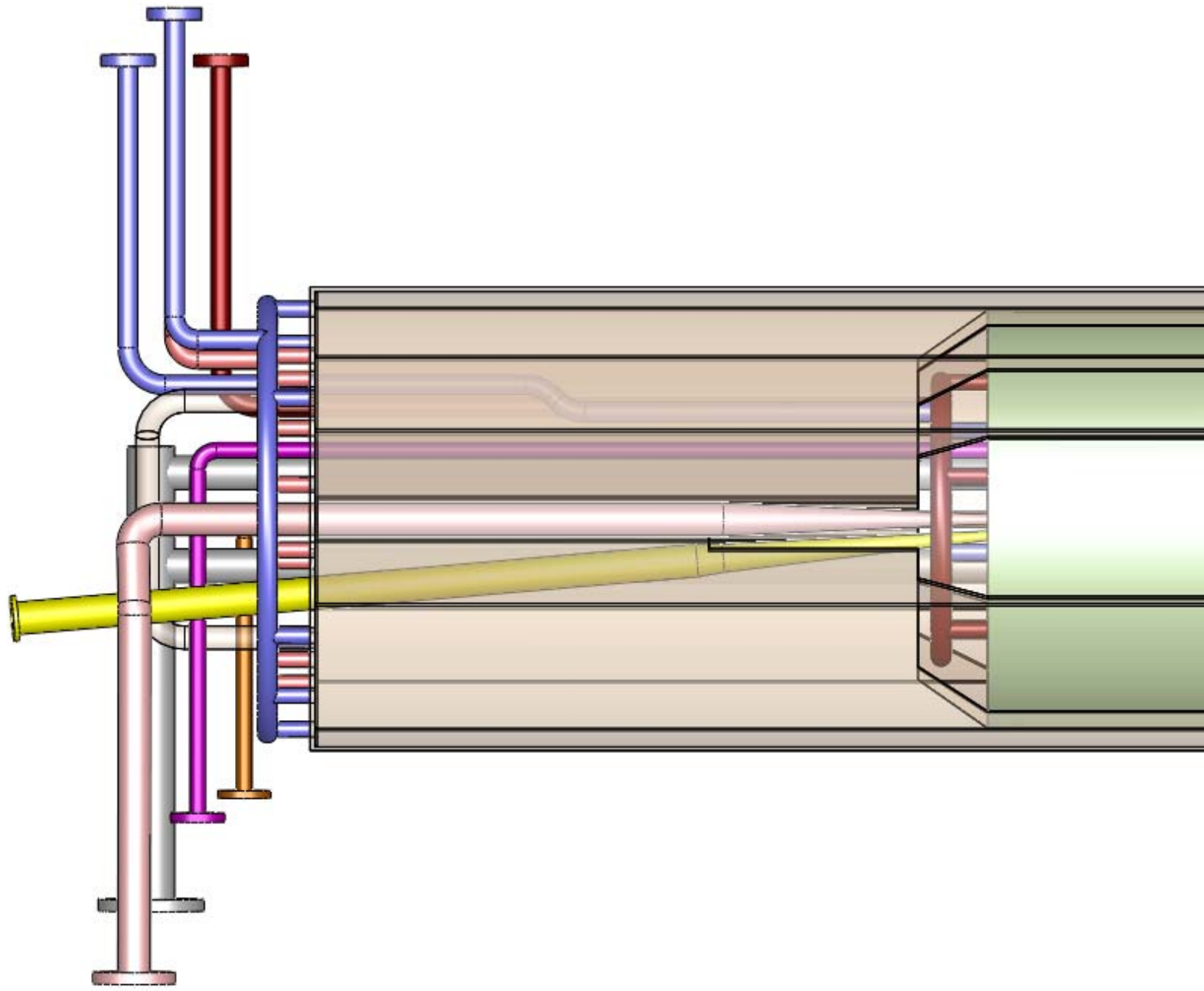


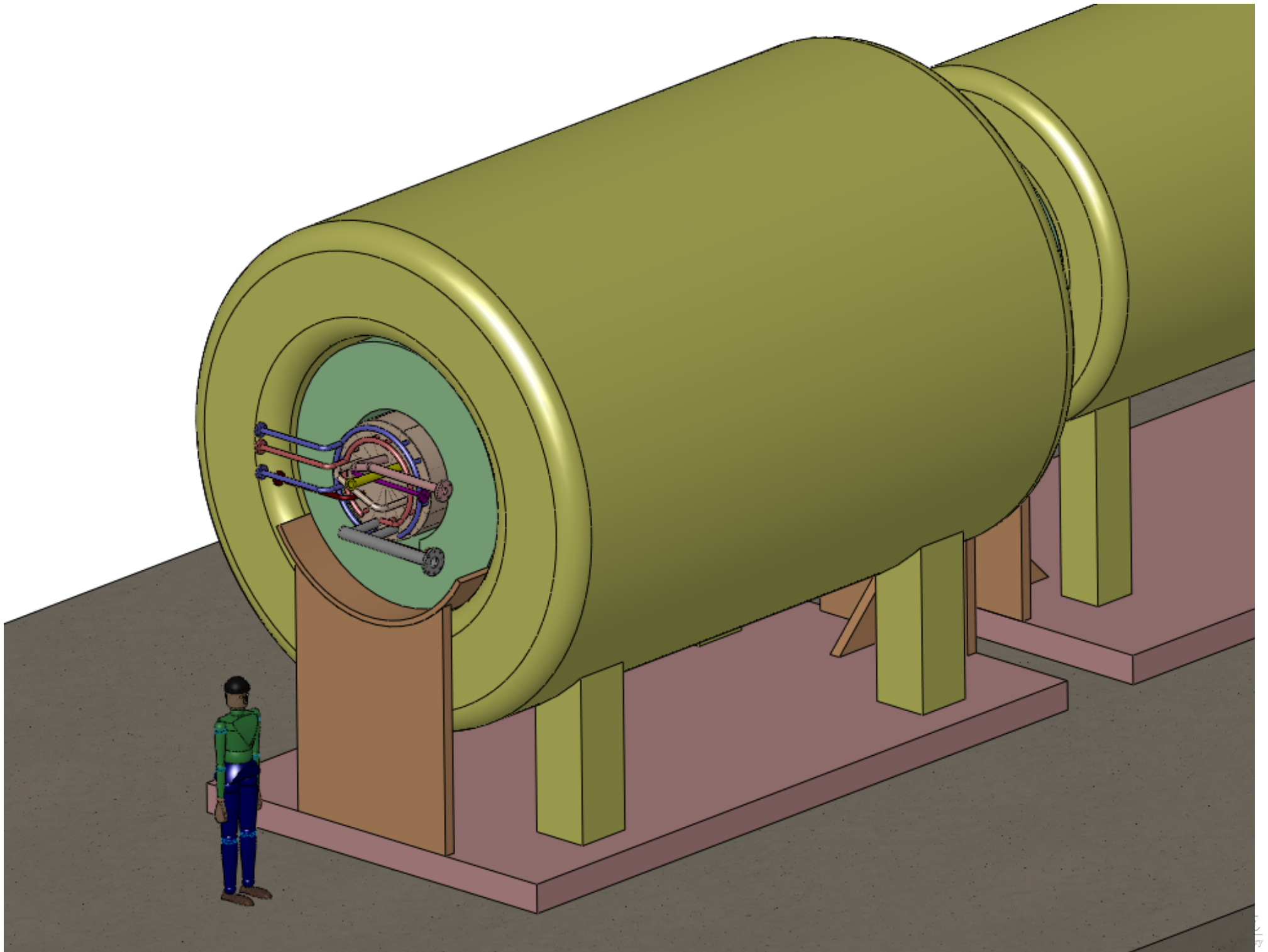


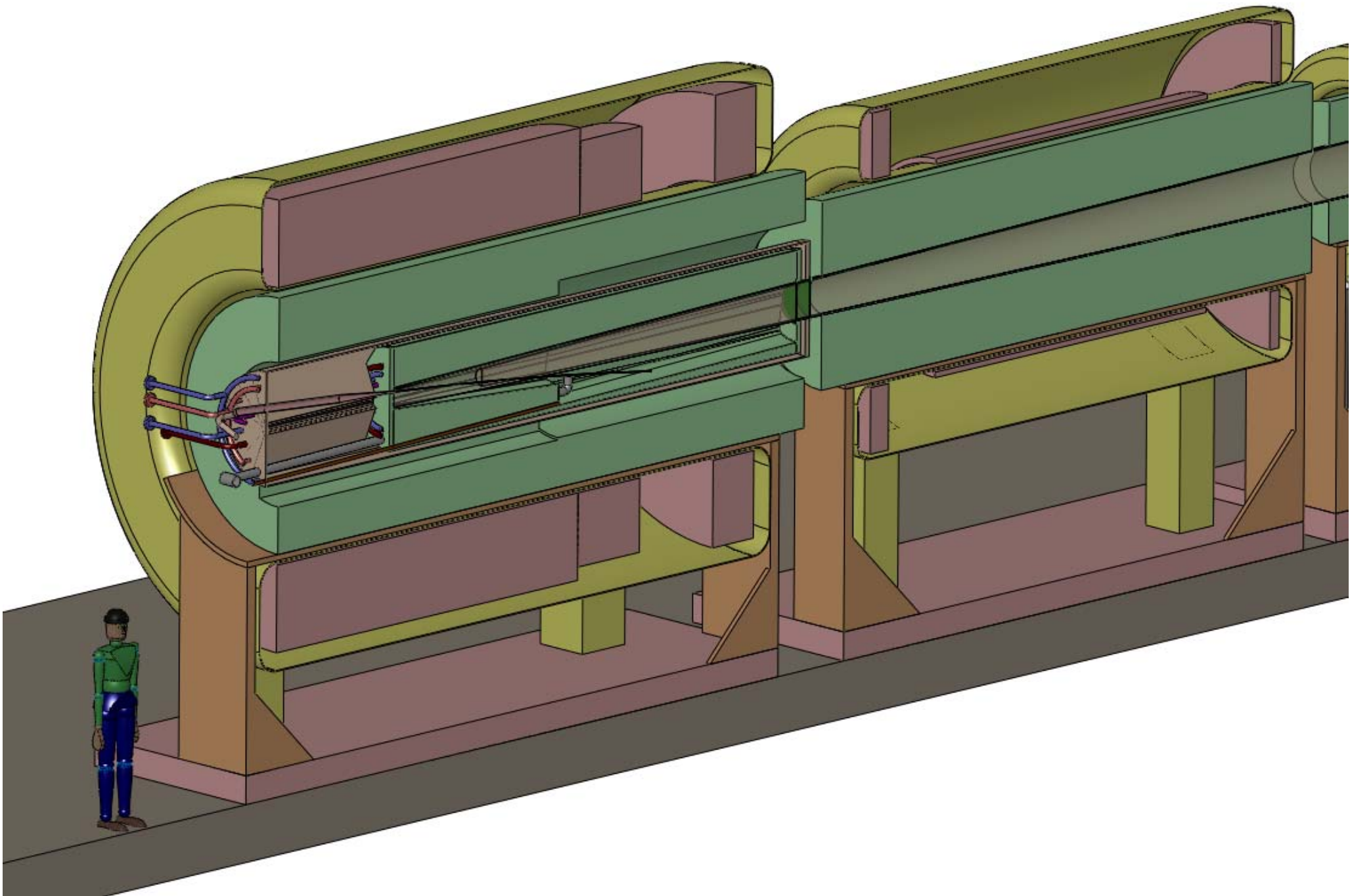


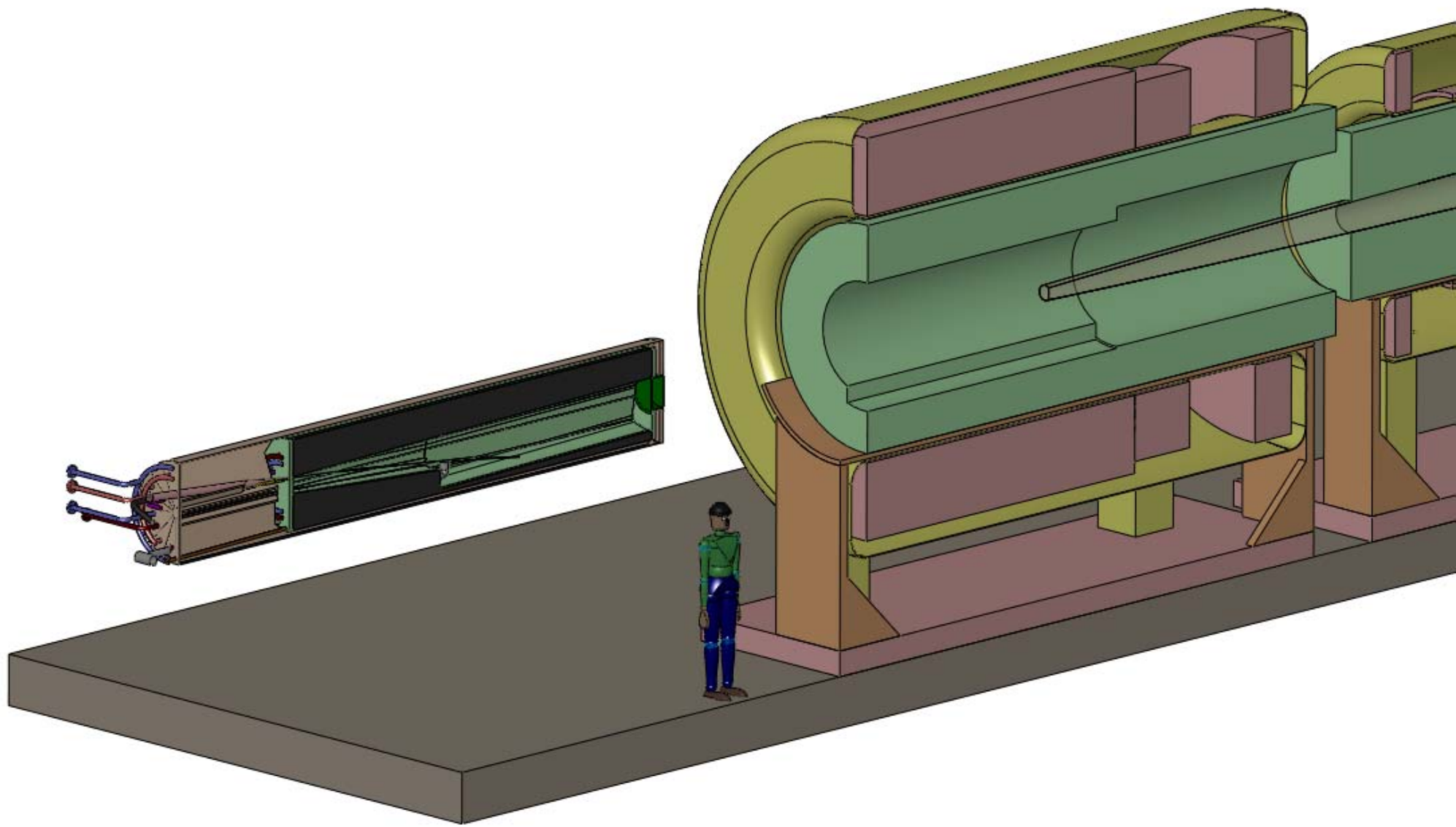












Comments

- Concept assumes helium cooling – water cooling will add significant complexity because of draining issues
- Locating and positioning guides not included yet
- Handling will be extremely complicated