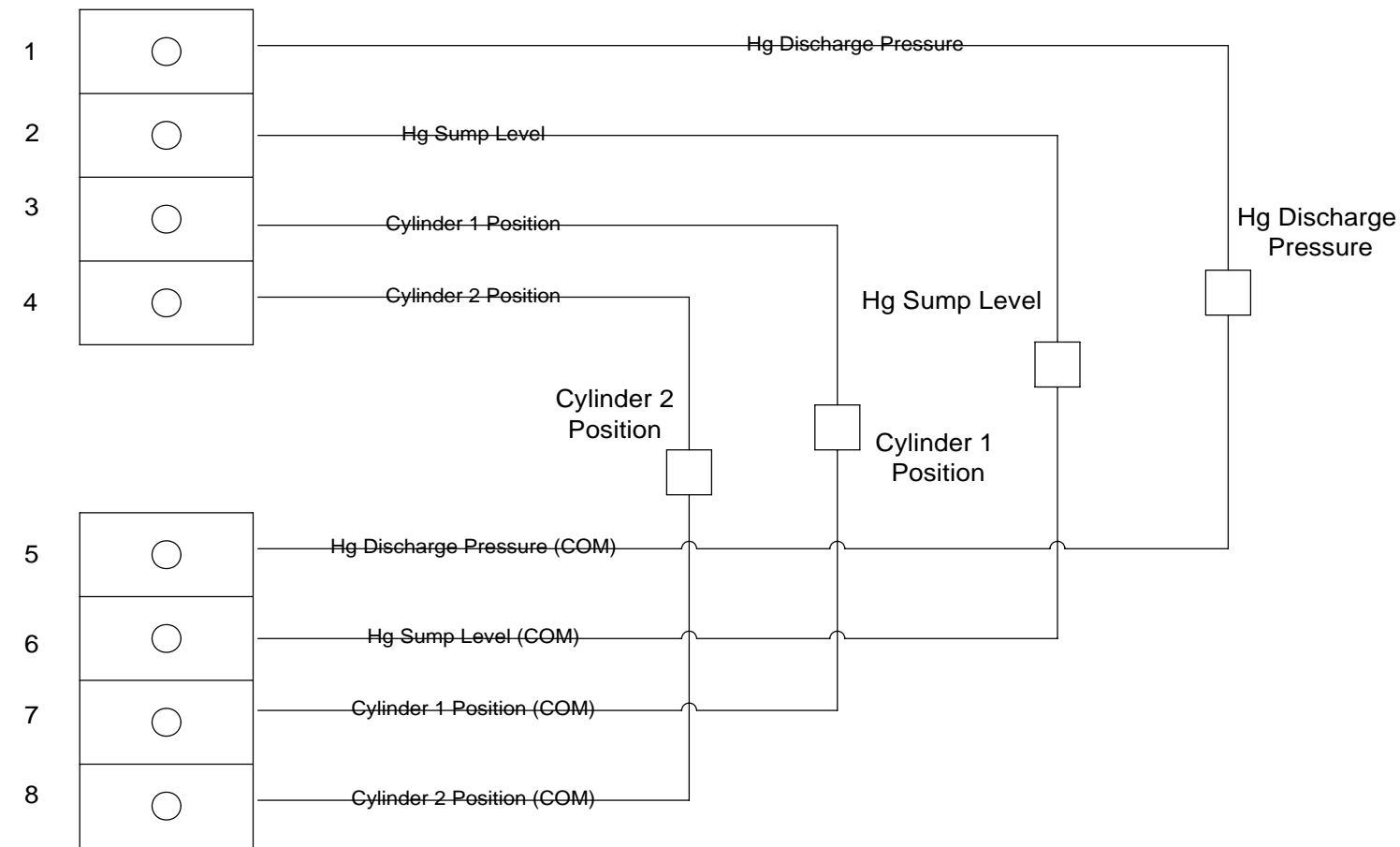
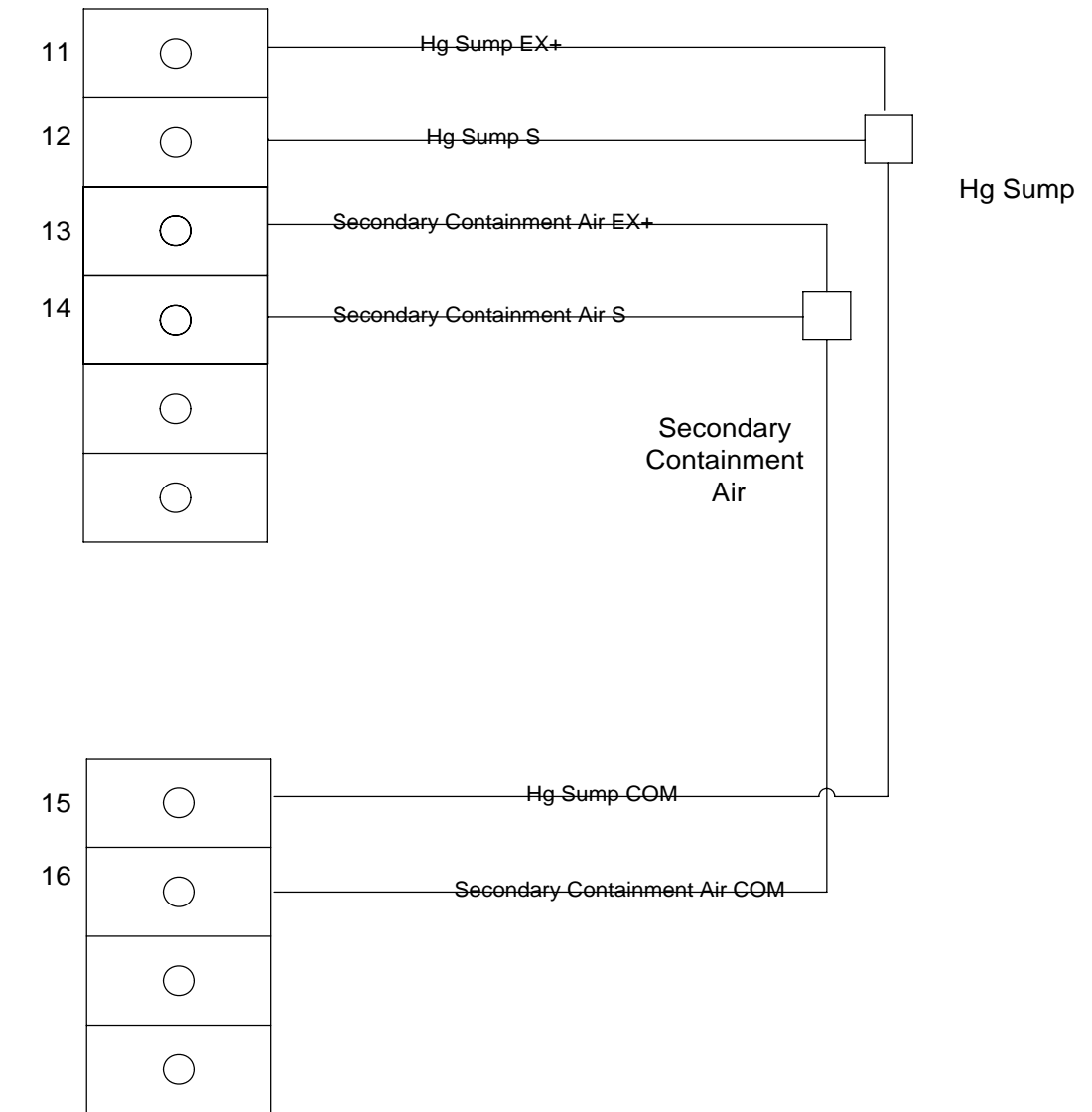


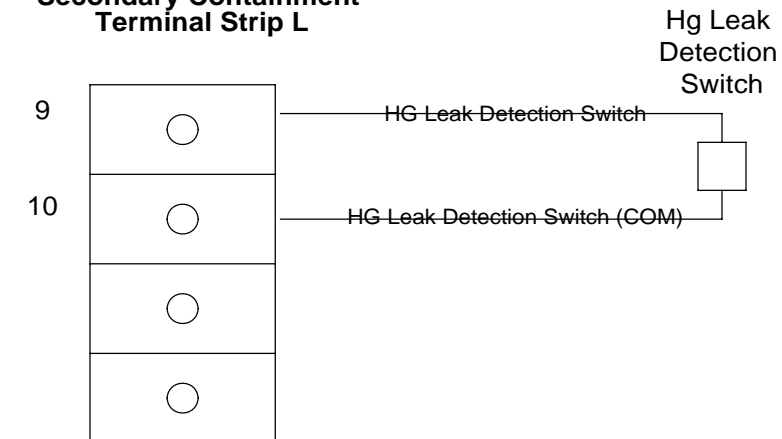
**Secondary Containment Terminal Strip L**



**Secondary Containment Terminal Strip L**



**Secondary Containment Terminal Strip L**



0	ORIGINAL ISSUE	6/15/2006	VBG	VBG
REV	DESCRIPTION	DATE	BY	APPROVED

<p>THIRD-ANGLE PROJECTION</p>		<p>This drawing was prepared by ORNL solely for use in work performed under Department of Energy contract number DE-AC05-00OR22725 and applicable Work for Others Agreements and Cooperative Research and Development Agreements. This drawing is property of ORNL and must be returned upon request.</p>		<p><b>OAK RIDGE NATIONAL LABORATORY</b> operated for the U.S. Department of Energy under contract DE-AC05-00OR22725 Oak Ridge, TN</p>	
<p>UNLESS OTHERWISE NOTED</p> <p>1. ALL DIMENSIONS ARE IN INCHES</p> <p>2. INTERPRET DIMENSIONS AND TOLERANCES PER ASME Y14.5M</p> <p>3. MACHINED FINISH 125 MICRO-INCHES RMS</p> <p>4. CONCENTRICITY .010 TIR</p> <p>5. MACHINED ANGLES ±1/2° FORMED ANGLES ±1°</p> <p>6. BREAK SHARP CORNERS AND REMOVE ALL BURRS</p> <p>7. WHOLE NUMBERS AND FRACTIONS ±1/16</p> <p>8. X DECIMALS ±.030</p> <p>9. XX DECIMALS ±.010</p> <p>10. XXX DECIMALS ±.005</p>		<p>DES</p> <p>DRW</p> <p>CHK</p> <p>ENG</p> <p>QA</p>		<p><b>REMOTE SYSTEMS GROUP</b> NUCLEAR SCIENCE &amp; TECHNOLOGY DIVISION</p>	
<p>CAD FILE</p> <p>PREV ASSY</p> <p>SCALE 1:1</p> <p>SHEET 1 of 1</p>		<p>DRAWING APPROVALS</p> <p>DATE</p>		<p>SIZE C</p> <p>DWG NO. <b>203-HJT-8002</b></p> <p>REV 0</p>	