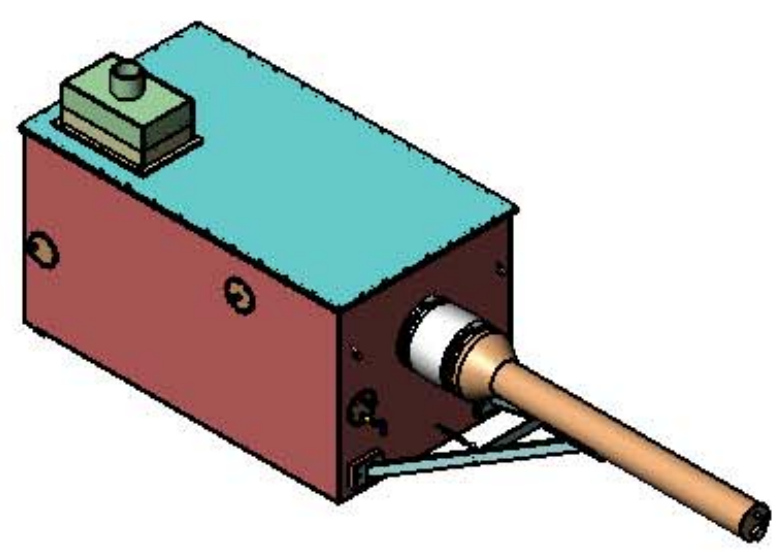
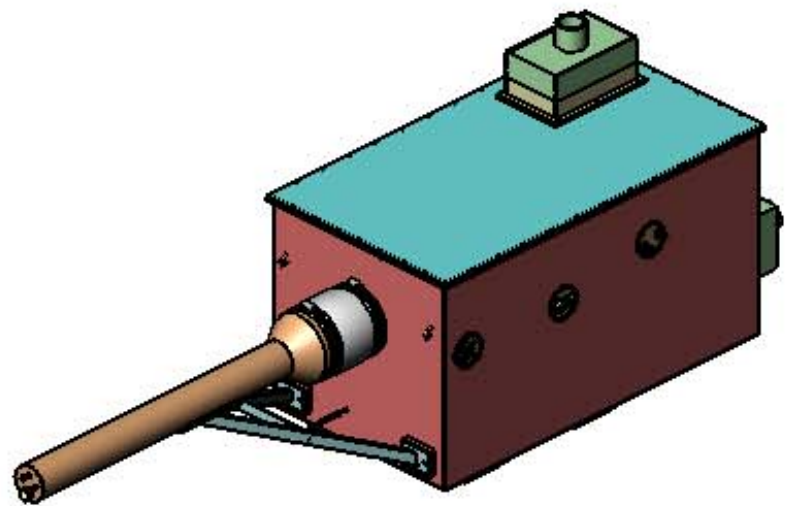
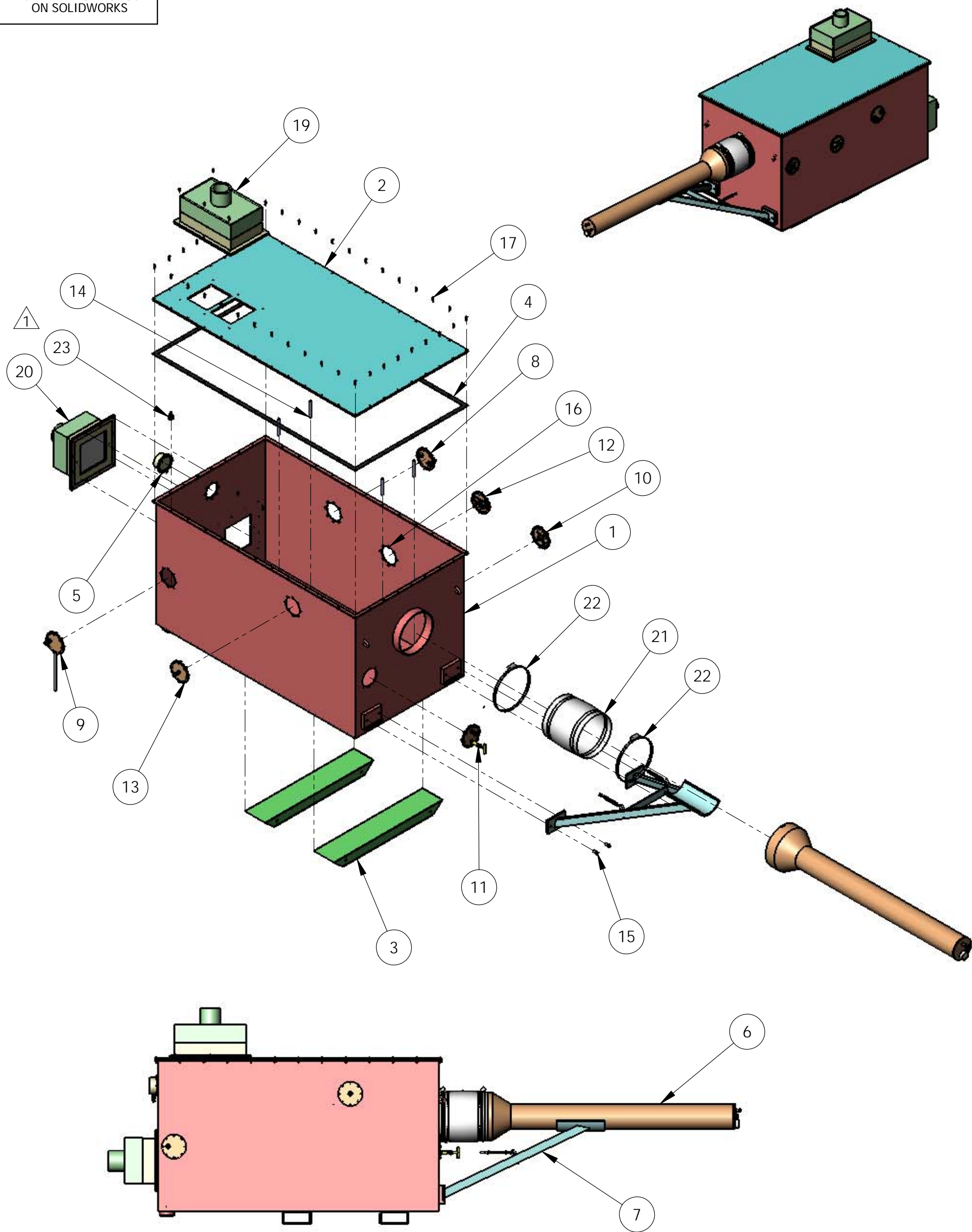


S THIS DRAWING PRODUCED ON SOLIDWORKS



ESTIMATED WEIGHT 1523 LBS

ITEM	with brace/QTY.	NAME	MATERIAL	DESCRIPTION	DWG
23	1	hg leak detector hjt	SS	VERTICAL MOUNT LIQUID LEVEL SWITCH, MCMASTER-CARR #4646K83	N/A
22	2	Hose Clamp	SS 316	HOSE CLAMP, MCMASTER-CARR 5011T44	N/A
21	1	sec contain bladder hjt	SS - 304L	SECONDARY CONTAINMENT WELDMENT	N/A
20	1	airfiltronix assy hjt	N/A	AIR FILTER ASSY - SQUARE	N/A
19	1	airfiltronix assy hjt	N/A	AIR FILTER ASSY - RECTANGULAR	N/A
18	6	SBHCSCREW 0.25-20x0.875-HX-N	SS - 8-18	BHCS - 1/4-20	N/A
17	41	socket button head cap screw_ai	SS - 18-8	BHCS - 1/4-20	N/A
16	88	PEM WNS-0420-0 ---N	SS - 18-8	PEM WELDNUT - 1/4-20	N/A
15	4	HX-SHCS 0.5-13x1x1-N	SS - 18-8	.38 X .5 -16 SHCS	N/A
14	4	weld stud hjt	SS - 18-8	WELD STUD, 0.5 X 3.0	N/A
13	1	connector plate assy hjt	---	CONNECTOR PLATE ASSY - HG INLET	203-HJT-0780
12	1	connector plate assy hjt	---	CONNECTOR PLATE ASSY - SENSORS	203-HJT-0770
11	1	connector plate assy hjt	---	CONNECTOR PLATE ASSY - DRAIN	203-HJT-0760
10	1	connector plate assy hjt	---	CONNECTOR PLATE ASSY - OPTICS	203-HJT-0750
9	1	connector plate assy hjt	---	CONNECTOR PLATE ASSY - HG EXTRACTION	203-HJT-0740
8	1	connector plate assy hjt	---	CONNECTOR PLATE ASSY - HYDRAULICS	203-HJT-0730
7	1	cradle assy hjt	ALUMINUM	TUBE SUPPORT ASSEMBLY	203-HJT-0720
6	1	sec tube assy hjt	TITANIUM	SECONDARY TUBE ASSY	203-HJT-0710
5	1	double window monitored	TITANIUM	DOWNSTREAM DOUBLE BEAM WINDOW	203-HJT-0706
4	1	sec base cover gasket hjt	BUNA-N SHEET - 50A		203-HJT-0704
3	2	rect tubing support hjt	AL - 6061 T651, ASTM B209	AMER STD CHANNEL, 7.00 x 2.29 x .25	203-HJT-0703
2	1	sec top cover hjt	LEXAN - 1/2"	69.50 X 39.50 X .500	203-HJT-0702
1	1	sec base hjt	SS - 304L	SECONDARY CONTAINMENT BOX	203-HJT-0701

THIRD-ANGLE PROJECTION

UNLESS OTHERWISE NOTED

- ALL DIMENSIONS ARE IN INCHES
- INTERPRET DIMENSIONS AND TOLERANCES PER ASME Y14.5M
- MACHINED FINISH 125 MICRO-INCHES RMS
- CONCENTRICITY .010 TIR
- MACHINED ANGLES ±1/2°
FORMED ANGLES ±1°
- BREAK SHARP CORNERS AND REMOVE ALL BURRS
- WHOLE NUMBERS AND FRACTIONS ±1/16
8. X DECIMALS ±.030
9. XX DECIMALS ±.010
10. XXX DECIMALS ±.005

This drawing was prepared by ORNL solely for use in work performed under Department of Energy contract number DE-AC05-00OR22725 and applicable Work for Others Agreements and Cooperative Research and Development Agreements. This drawing is property of ORNL and must be returned upon request.

DES	V GRAVES	06/04/2005
DRW	T OQUIN	06/04/2005
CHK	P SPAMPINATO	01/17/2006
ENG	V GRAVES	06/04/2005
QA		

OAK RIDGE NATIONAL LABORATORY
operated for the U.S. Department of Energy under contract DE-AC05-00OR22725 Oak Ridge, TN

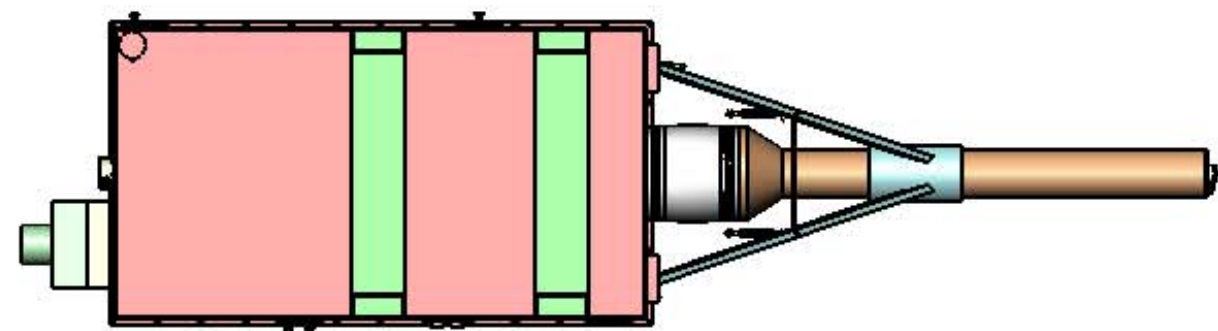
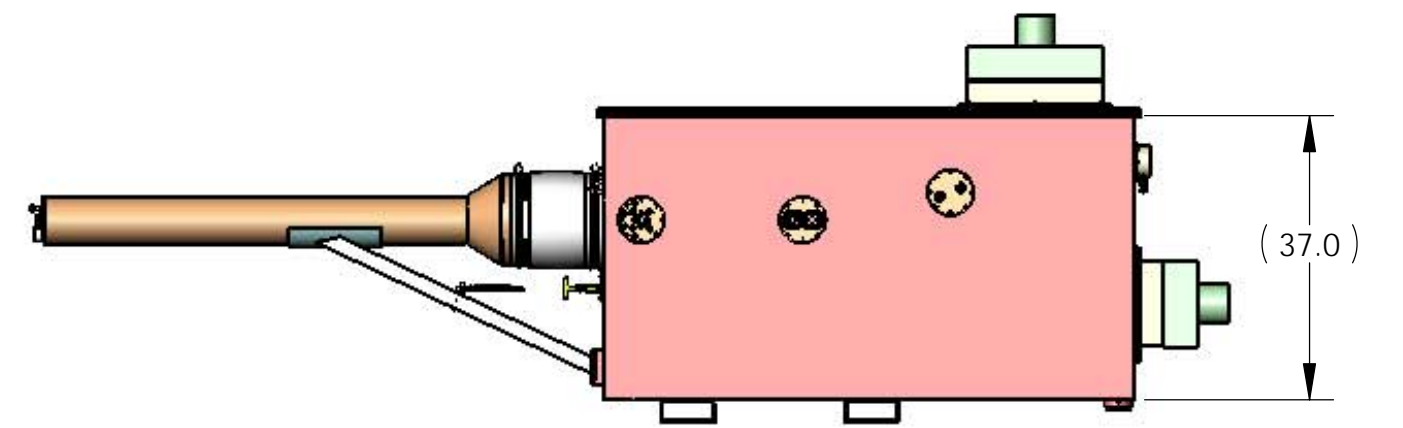
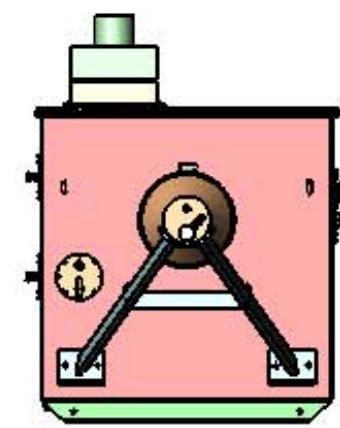
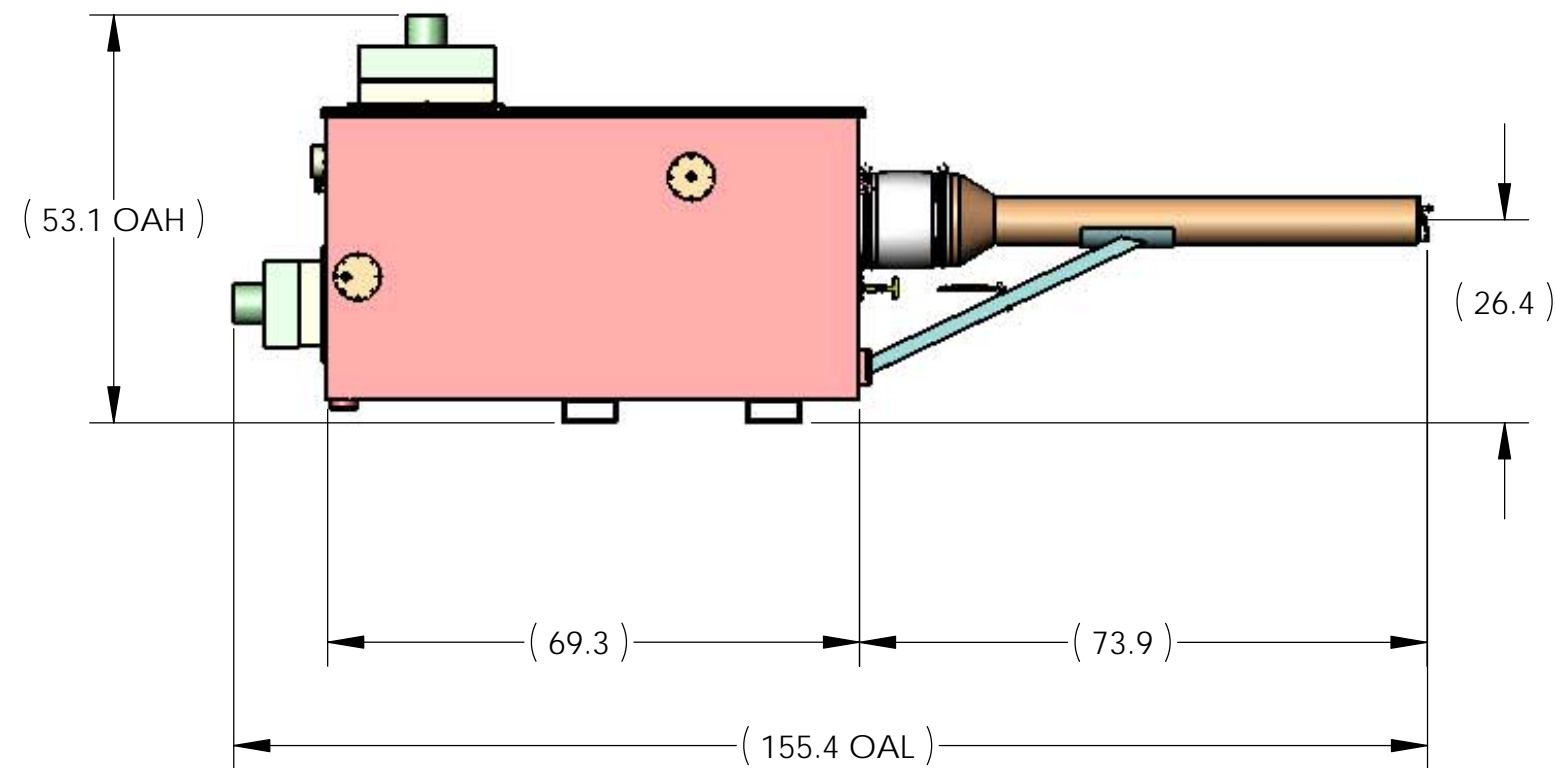
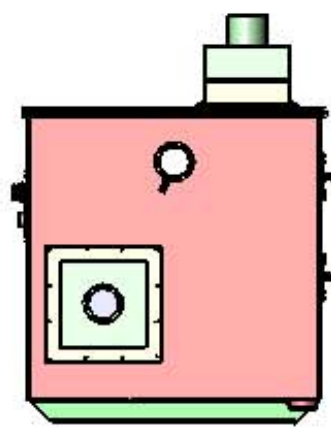
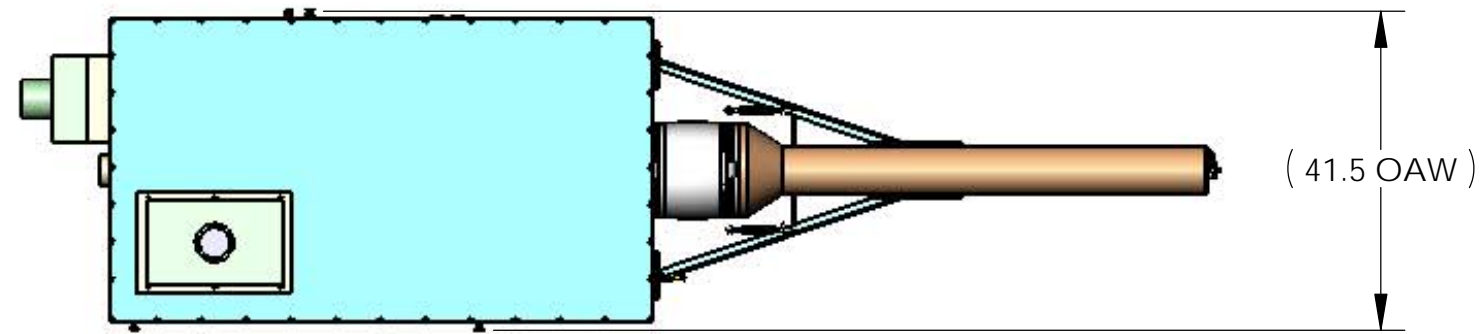
REMOTE SYSTEMS GROUP
NUCLEAR SCIENCE & TECHNOLOGY DIVISION

**MERIT EXPERIMENT
HG DELIVERY SYSTEM
SECONDARY CONTAINMENT ASSY**

CAD FILE	PREV ASSY	SCALE	SHEET
SEC CONTAIN ASSY HJT	203-HJT-0500	1:22	1 of 3
SIZE	DWG NO.		REV
C	203-HJT-0700		1

REV	DESCRIPTION	DATE	BY	APPROVED
1	CHANGED HG LEAK DETECTOR SENSOR	3/7/2006	VBG	VBG

DWG NO. 203-HJT-0700

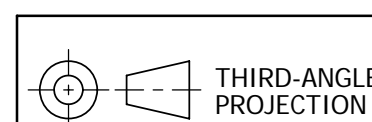
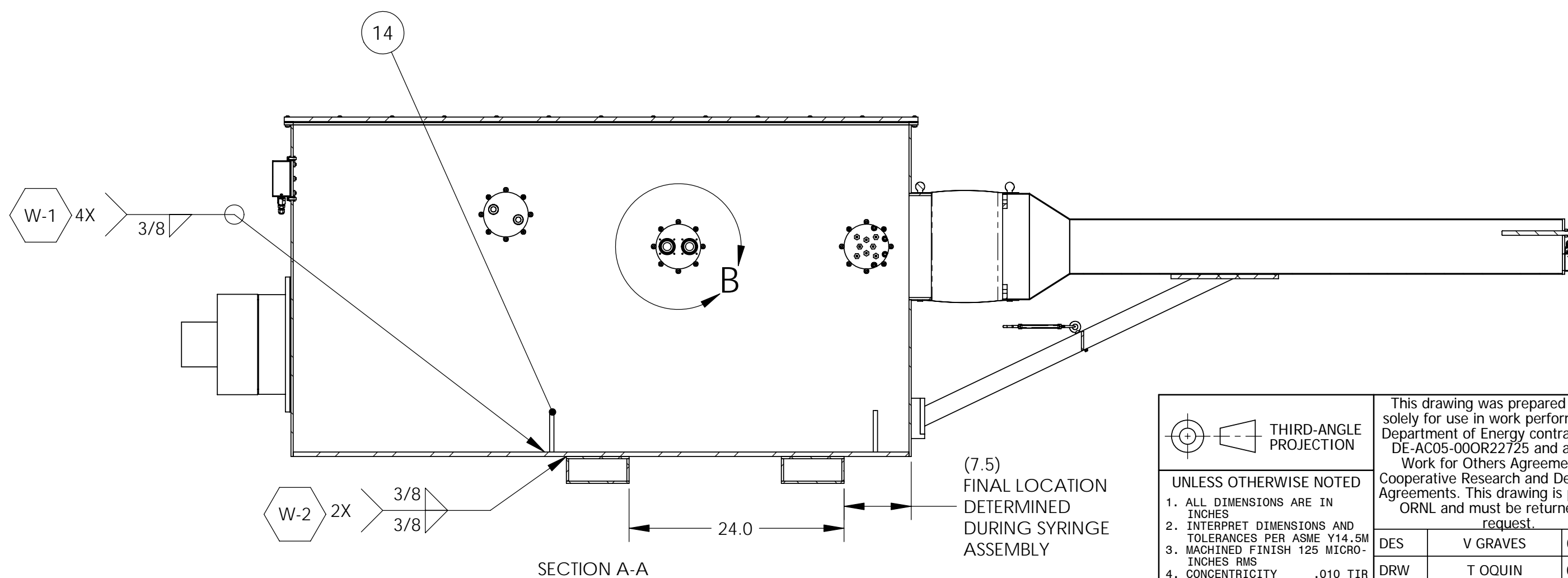
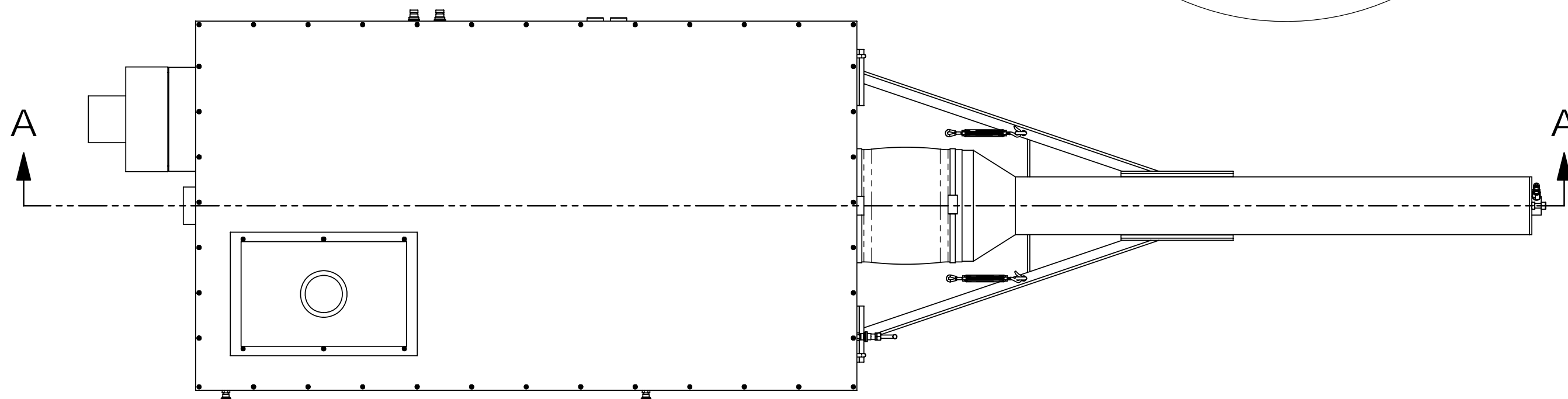
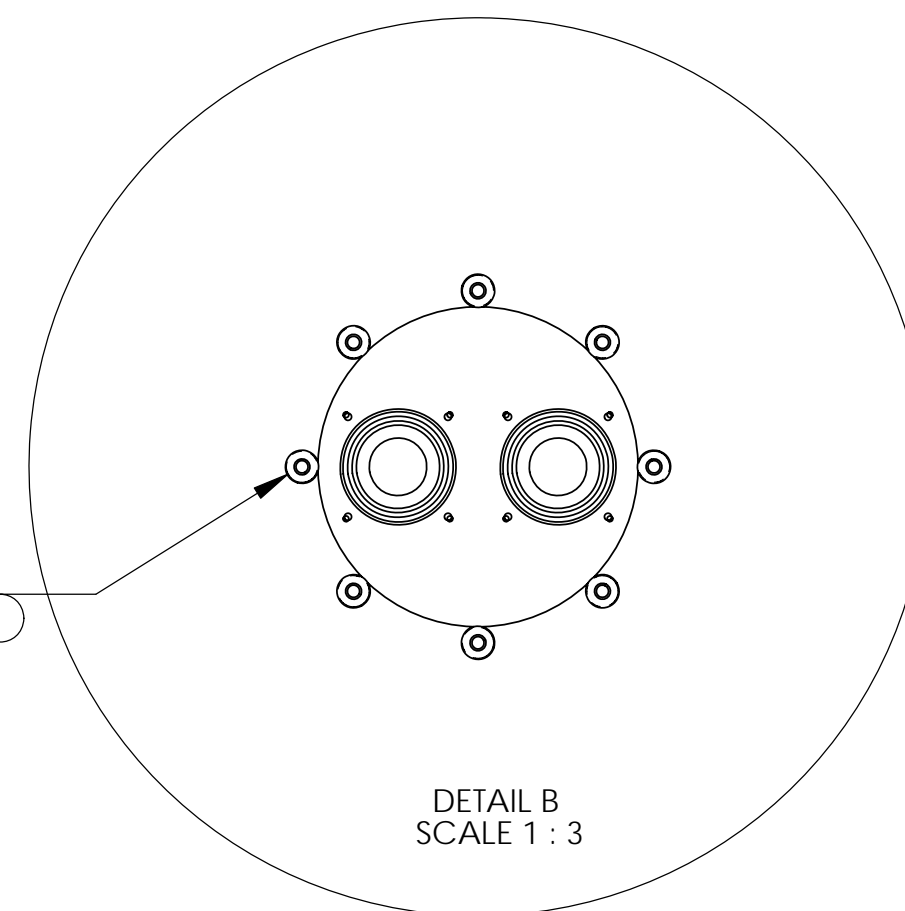


THIRD-ANGLE PROJECTION		This drawing was prepared by ORNL solely for use in work performed under Department of Energy contract number DE-AC05-00OR22725 and applicable Work for Others Agreements and Cooperative Research and Development Agreements. This drawing is property of ORNL and must be returned upon request.		OAK RIDGE NATIONAL LABORATORY operated for the U.S. Department of Energy under contract DE-AC05-00OR22725 Oak Ridge, TN																
UNLESS OTHERWISE NOTED 1. ALL DIMENSIONS ARE IN INCHES 2. INTERPRET DIMENSIONS AND TOLERANCES PER ASME Y14.5M 3. MACHINED FINISH 125 MICRO-INCHES RMS 4. CONCENTRICITY .010 TIR 5. MACHINED ANGLES ±1/2° 6. BREAK SHARP CORNERS AND REMOVE ALL BURRS 7. WHOLE NUMBERS AND FRACTIONS ±1/16 8. X DECIMALS ±.030 9. XX DECIMALS ±.010 10. XXX DECIMALS ±.005		<table border="1"> <tr> <td>DES</td> <td>V GRAVES</td> <td>06/04/2005</td> </tr> <tr> <td>DRW</td> <td>T OQUIN</td> <td>06/04/2005</td> </tr> <tr> <td>CHK</td> <td>P SPAMPINATO</td> <td>01/17/2006</td> </tr> <tr> <td>ENG</td> <td>V GRAVES</td> <td>06/04/2005</td> </tr> <tr> <td>QA</td> <td></td> <td></td> </tr> </table>		DES	V GRAVES	06/04/2005	DRW	T OQUIN	06/04/2005	CHK	P SPAMPINATO	01/17/2006	ENG	V GRAVES	06/04/2005	QA			REMOTE SYSTEMS GROUP NUCLEAR SCIENCE & TECHNOLOGY DIVISION	
DES	V GRAVES	06/04/2005																		
DRW	T OQUIN	06/04/2005																		
CHK	P SPAMPINATO	01/17/2006																		
ENG	V GRAVES	06/04/2005																		
QA																				
		MERIT EXPERIMENT HG DELIVERY SYSTEM SECONDARY CONTAINMENT ASSY		CAD FILE	PREV ASSY	SCALE	SHEET													
				SEC CONTAIN ASSY HJT	203-HJT-0500	1:25	2 of 3													
				SIZE	DWG NO.		REV													
				C	203-HJT-0700		1													
		DRAWING APPROVALS		DATE																

NOTES

1. WELDING & INSPECTIONS SHALL BE PERFORMED IN ACCORDANCE WITH AWS D.1.6
2. ALL WELDS SHALL BE DYE PENETRANT INSPECTED
3. MATERIAL CERTIFICATIONS REQUIRED

WELDNUTS
8X FOR EACH
CONNECTOR PLATE ASSY
7 PLCS.



UNLESS OTHERWISE NOTED

1. ALL DIMENSIONS ARE IN INCHES
2. INTERPRET DIMENSIONS AND TOLERANCES PER ASME Y14.5M
3. MACHINED FINISH 125 MICRO-INCHES RMS
4. CONCENTRICITY .010 TIR
5. MACHINED ANGLES ±1/2°
6. FORMED ANGLES ±1°
7. BREAK SHARP CORNERS AND REMOVE ALL BURRS
8. WHOLE NUMBERS AND FRACTIONS ±1/16
9. X DECIMALS ±.030
10. XX DECIMALS ±.010
11. XXX DECIMALS ±.005

This drawing was prepared by ORNL solely for use in work performed under Department of Energy contract number DE-AC05-00OR22725 and applicable Work for Others Agreements and Cooperative Research and Development Agreements. This drawing is property of ORNL and must be returned upon request.

DES	V GRAVES	06/04/2005
DRW	T OQUIN	06/04/2005
CHK	P SPAMPINATO	01/17/2006
ENG	V GRAVES	06/04/2005
QA		

CAD FILE	SEC CONTAIN ASSY HJT	PREV ASSY	203-HJT-0500	SCALE	1:12	SHEET	3 of 3
SIZE	C	DWG NO.	203-HJT-0700	REV	1		

oml OAK RIDGE NATIONAL LABORATORY
operated for the U.S. Department of Energy under contract DE-AC05-00OR22725 Oak Ridge, TN

NSTB REMOTE SYSTEMS GROUP
NUCLEAR SCIENCE & TECHNOLOGY DIVISION

**MERIT EXPERIMENT
HG DELIVERY SYSTEM
SECONDARY CONTAINMENT ASSY**

CAD FILE	SEC CONTAIN ASSY HJT	PREV ASSY	203-HJT-0500	SCALE	1:12	SHEET	3 of 3
SIZE	C	DWG NO.	203-HJT-0700	REV	1		