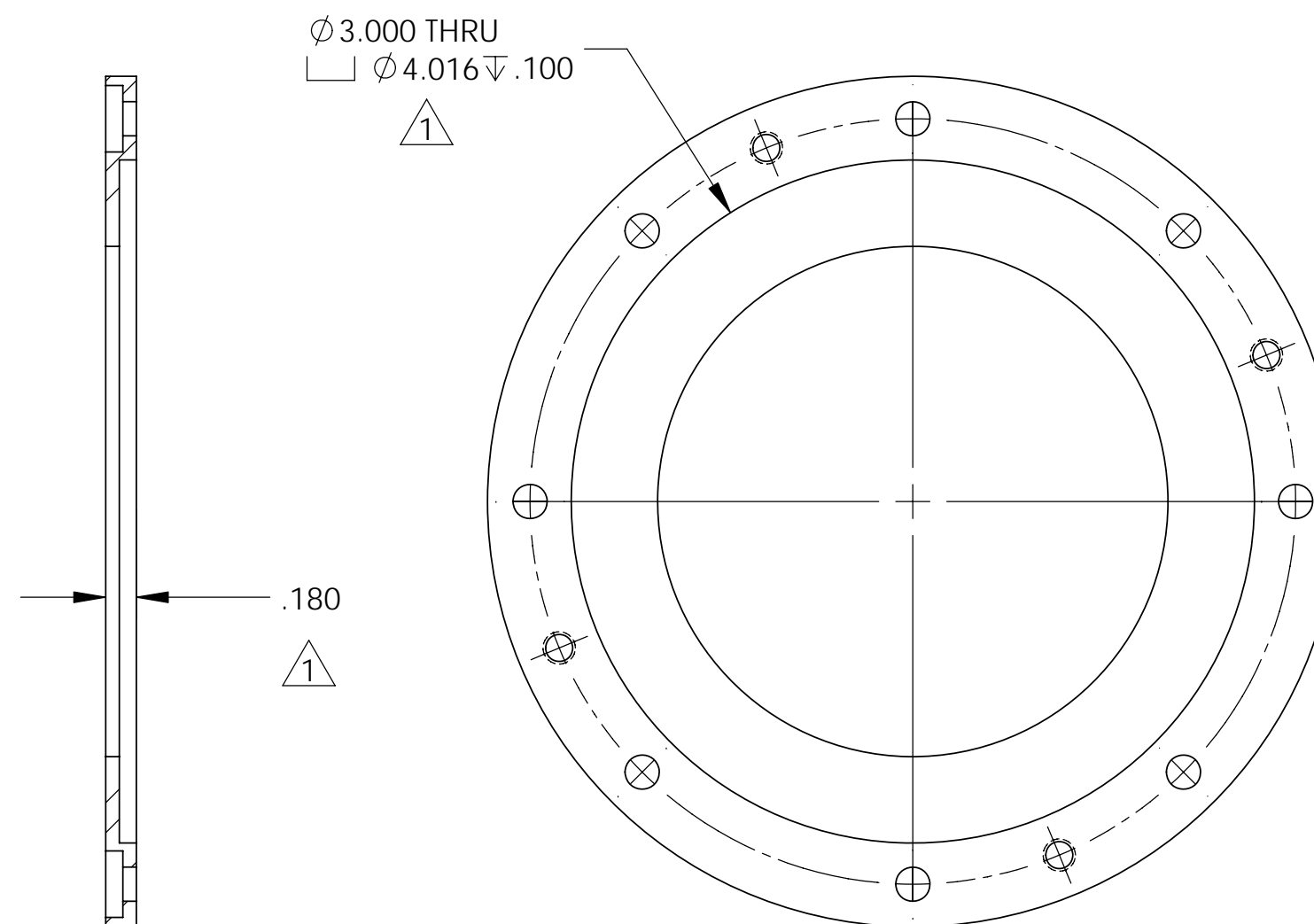
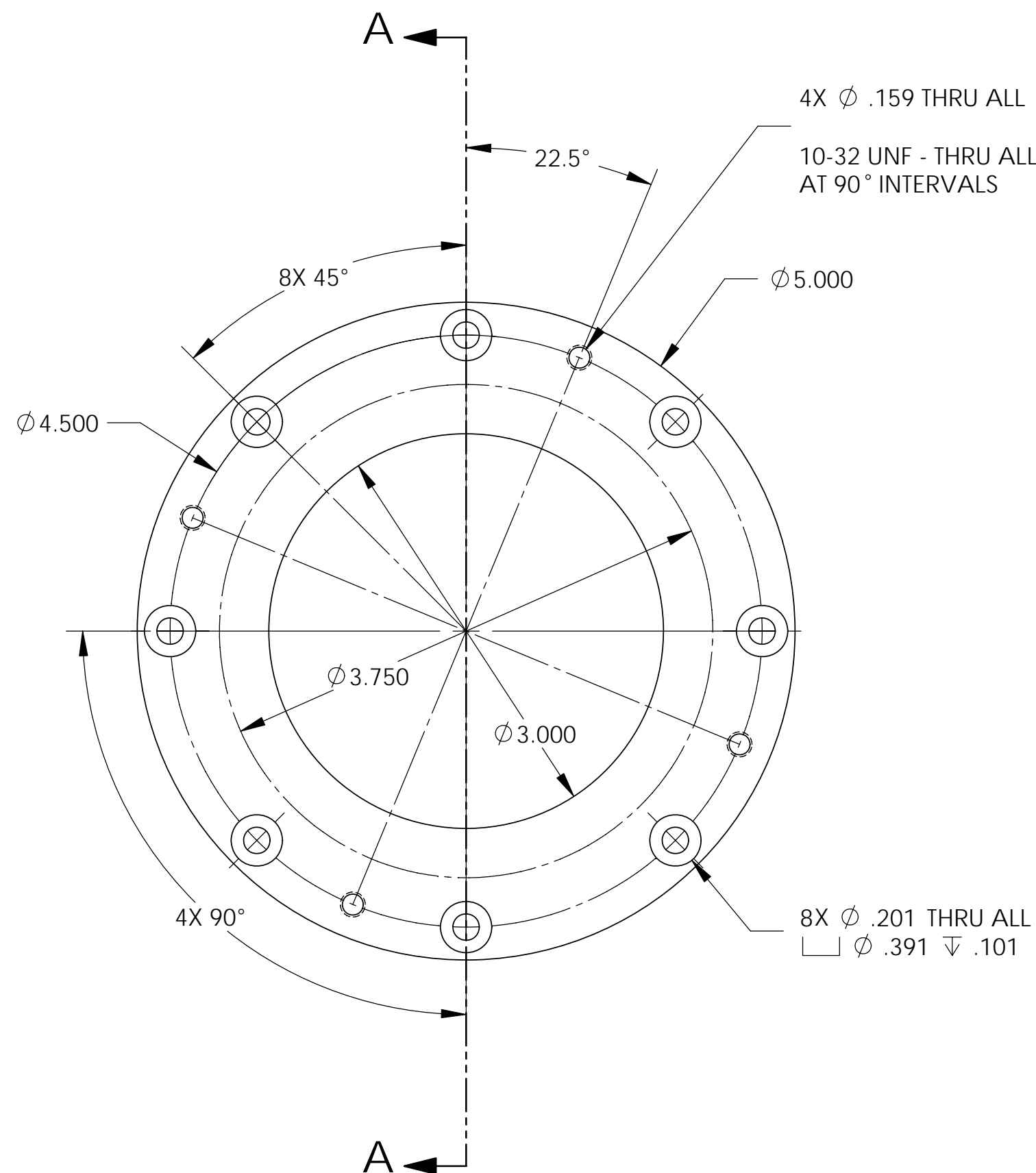
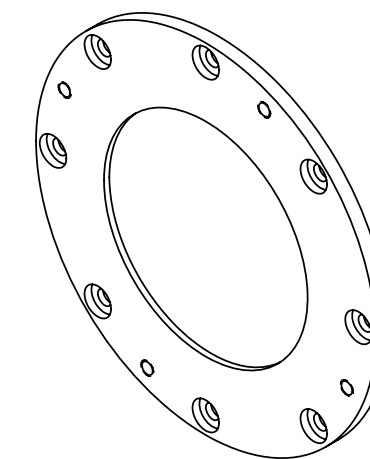


NOTES

1. MATERIAL CERTIFICATIONS REQUIRED



SECTION A-A

MATERIAL: AL - 6061 T6, ASTM B-209

<p>THIRD-ANGLE PROJECTION</p>	This drawing was prepared by ORNL solely for use in work performed under Department of Energy contract number DE-AC05-00OR22725 and applicable Work for Others Agreements and Cooperative Research and Development Agreements. This drawing is property of ORNL and must be returned upon request.			<p>OAK RIDGE NATIONAL LABORATORY operated for the U.S. Department of Energy under contract DE-AC05-00OR22725 Oak Ridge, TN</p>																			
	UNLESS OTHERWISE NOTED 1. ALL DIMENSIONS ARE IN INCHES 2. INTERPRET DIMENSIONS AND TOLERANCES PER ASME Y14.5M 3. MACHINED FINISH 125 MICRO-INCHES RMS 4. CONCENTRICITY .010 TIR 5. MACHINED ANGLES ±1/2° 6. BREAK SHARP CORNERS AND REMOVE ALL BURRS 7. WHOLE NUMBERS AND FRACTIONS ±1/16 8. X DECIMALS ±.030 9. XX DECIMALS ±.010 10. XXX DECIMALS ±.005			<p>REMOTE SYSTEMS GROUP NUCLEAR SCIENCE & TECHNOLOGY DIVISION</p>																			
<table border="1"> <tr> <td>DES</td> <td>V GRAVES</td> <td>06/09/2005</td> </tr> <tr> <td>DRW</td> <td>T OQUIN</td> <td>06/09/2005</td> </tr> <tr> <td>CHK</td> <td>P SPAMPINATO</td> <td>11/09/2005</td> </tr> <tr> <td>ENG</td> <td>V GRAVES</td> <td>06/09/2005</td> </tr> <tr> <td>QA</td> <td></td> <td></td> </tr> <tr> <td>-</td> <td>-</td> <td>-</td> </tr> </table>			DES	V GRAVES	06/09/2005	DRW	T OQUIN	06/09/2005	CHK	P SPAMPINATO	11/09/2005	ENG	V GRAVES	06/09/2005	QA			-	-	-	<p>NUFACT HG JET EXPERIMENT PRIMARY TUBE ASSY DIAGNOSTIC VIEWPORT COVER - REFLECTOR</p>		
DES	V GRAVES	06/09/2005																					
DRW	T OQUIN	06/09/2005																					
CHK	P SPAMPINATO	11/09/2005																					
ENG	V GRAVES	06/09/2005																					
QA																							
-	-	-																					
CAD FILE DIAGNOSTIC VIEWPORT COVER HJT		PREV ASSY 203-HJT-0660		SCALE 1:1	SHEET 1 of 1																		
SIZE C		DWG NO. 203-HJT-0663		REV 1																			

1	MODIFIED O/A THICKNESS & RECESS DIA	5/19/2006	VBG	VBG
REV	DESCRIPTION	DATE	BY	APPROVED