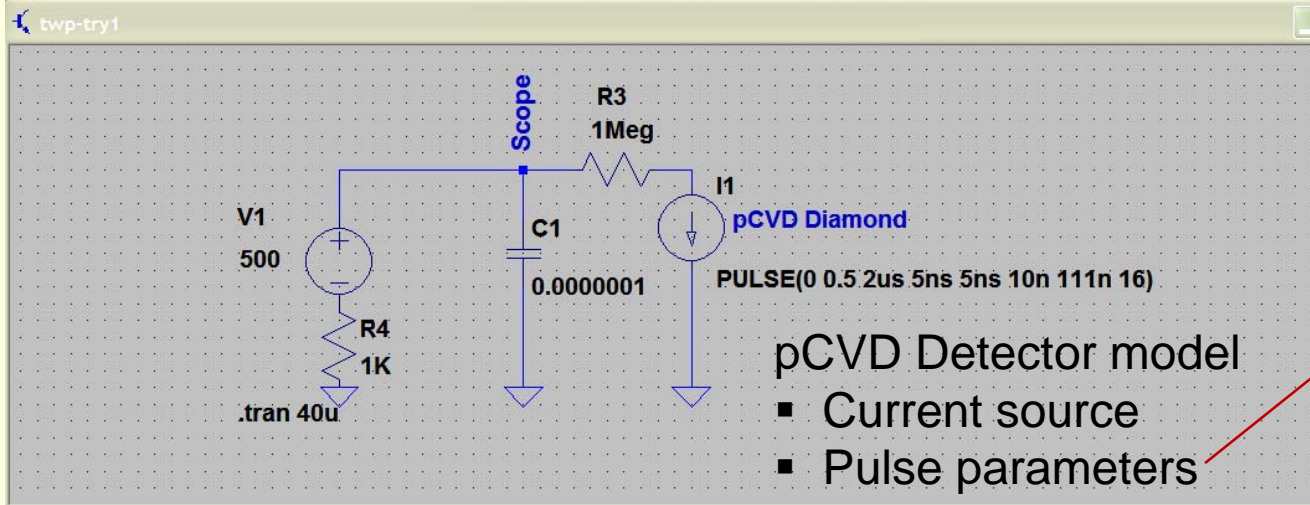
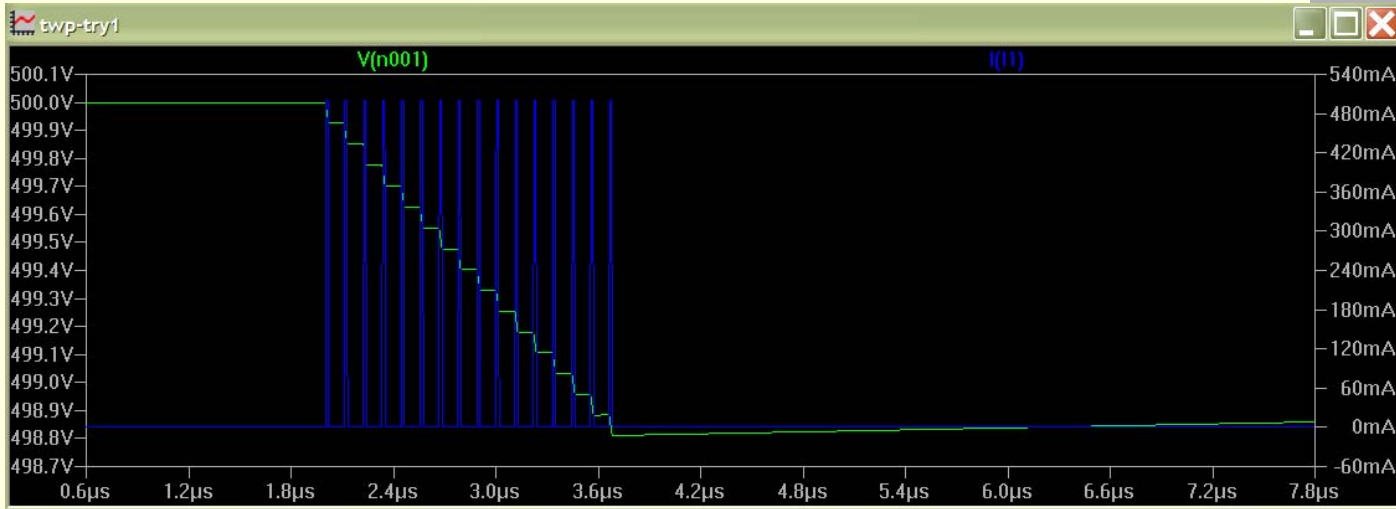
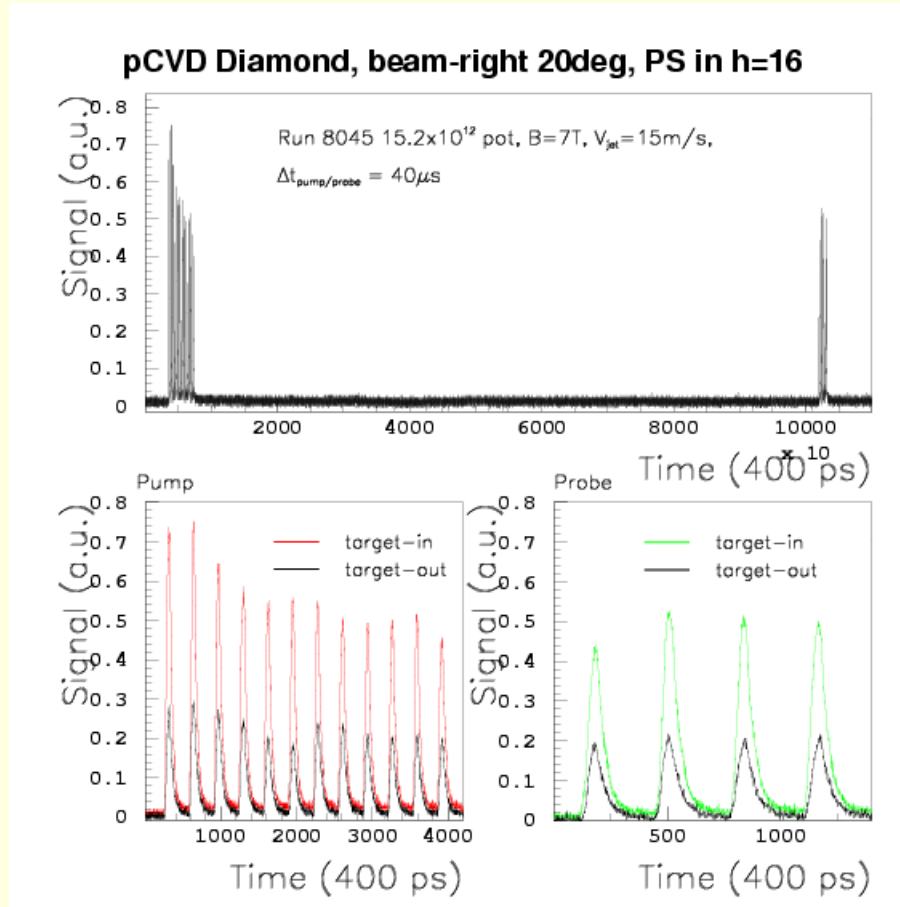


SPICE Simulation for pCVD detectors

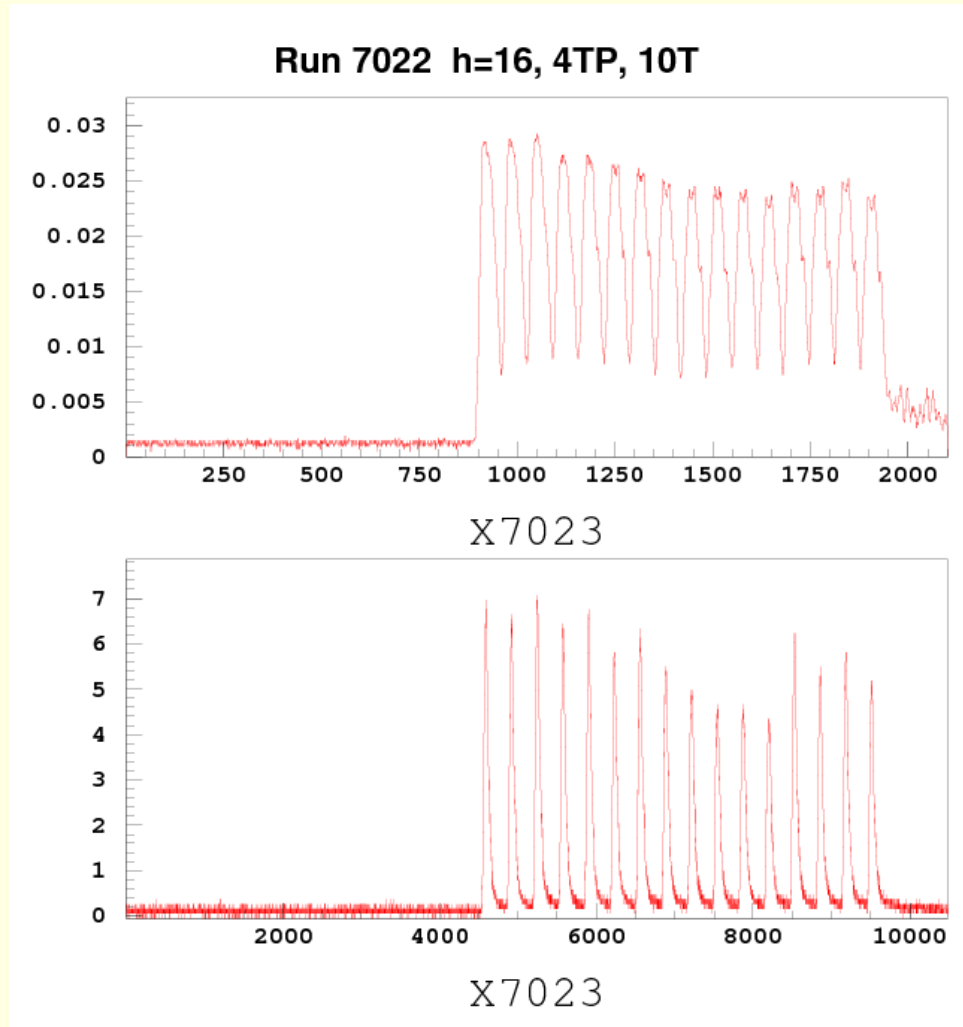


I1[A]:	0
I2[A]:	0.5
Tdelay[s]:	2us
Trise[s]:	5ns
Tfall[s]:	5ns
Ton[s]:	10n
Tperiod[s]:	111n
Ncycles:	16

Pump-probe analysis



Pump-probe analysis



ACEM Detector
Right-20

pCVD Detector
Right-20