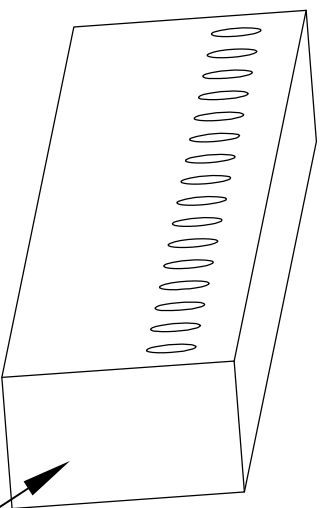
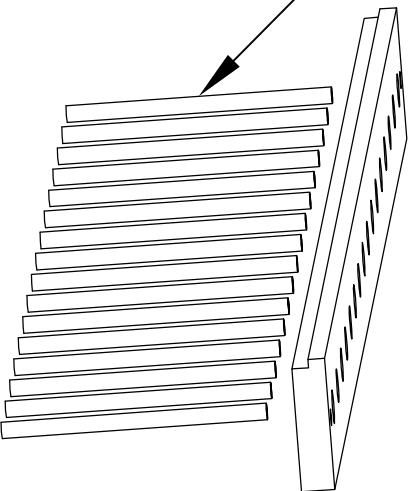


Main Input Bubbler



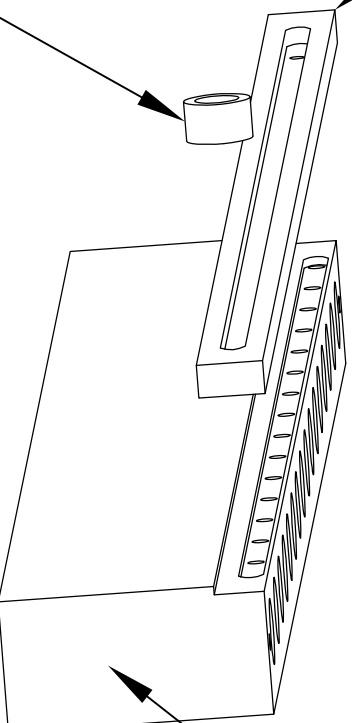
Input Overflow

Input Straws



Input Center

Input Gas Run



Main Input Block

Input Fitting Boss

