

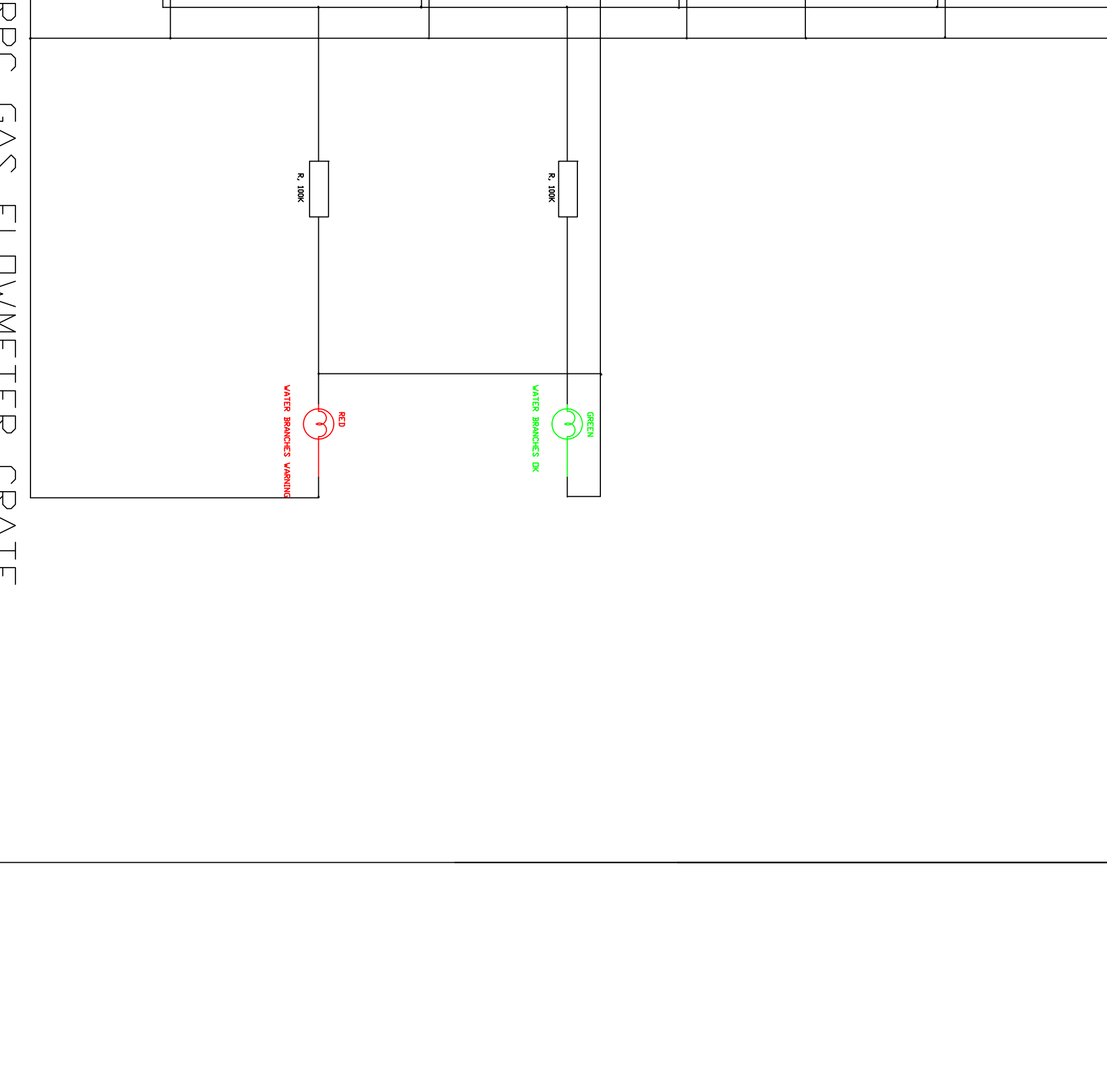
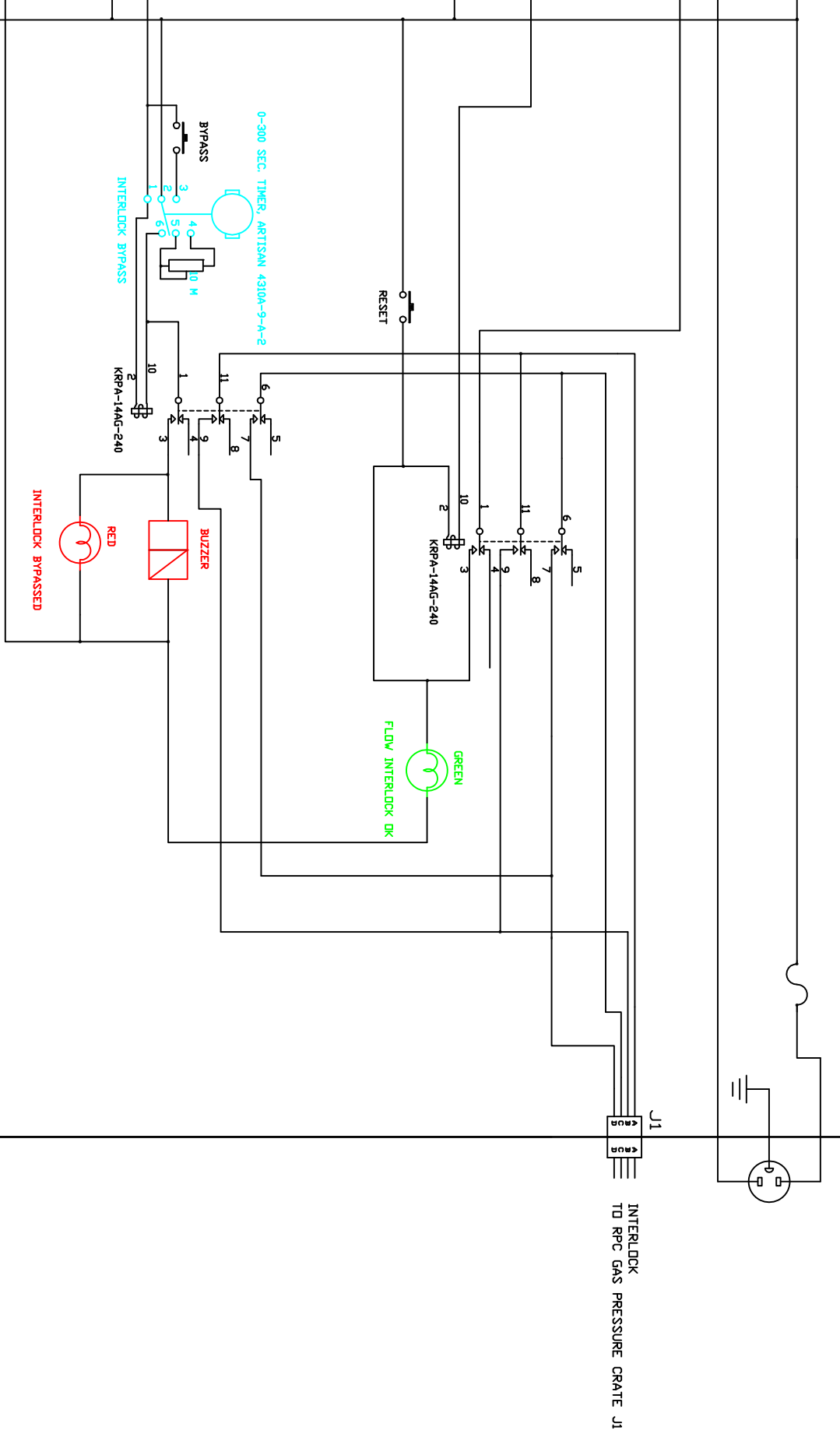
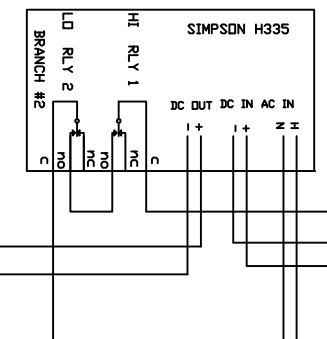
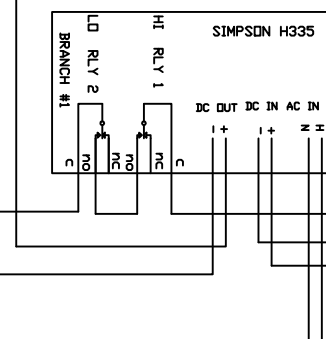
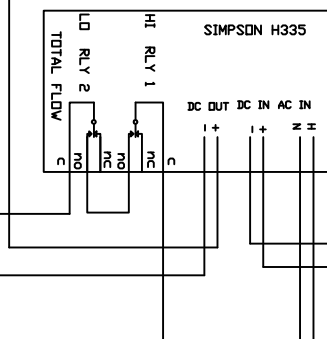
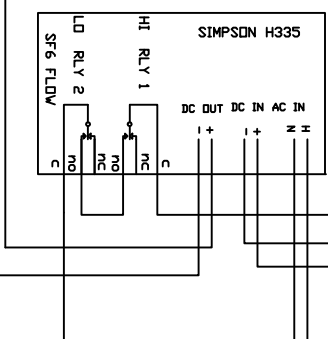
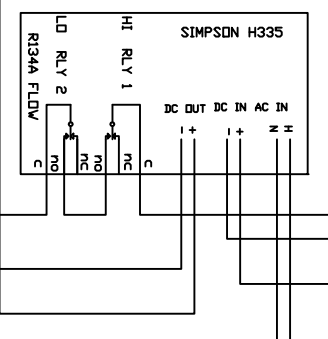
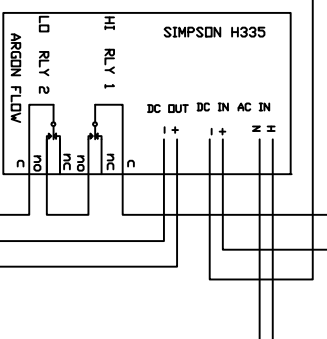
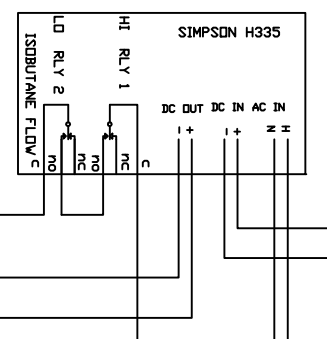
RELAY FUNCTION - NO AND COM CONNECTED
 DISCONNECTED IN ALARM - NC AND COM CONNECTED
 UNDER THAN LD IN LIGHT LD RLY ALARM

FLOWMETER INPUTS

- ISOBUTANE FLOW +
- ARGON FLOW -
- R324 FLOW +
- R324 FLOW -
- SF6 FLOW +
- SF6 FLOW -
- TOTAL FLOW +
- TOTAL FLOW -
- BRANCH #1 +
- BRANCH #1 -
- BRANCH #2 +
- BRANCH #2 -

ANALOG OUTPUTS

- ISOBUTANE FLOW +
- ISOBUTANE FLOW -
- ARGON FLOW +
- ARGON FLOW -
- R324 FLOW +
- R324 FLOW -
- SF6 FLOW +
- SF6 FLOW -
- TOTAL FLOW +
- TOTAL FLOW -
- BRANCH #1 +
- BRANCH #1 -
- BRANCH #2 +
- BRANCH #2 -
- TO SLOW CONTROL



RPC GAS FLOWMETER CRATE